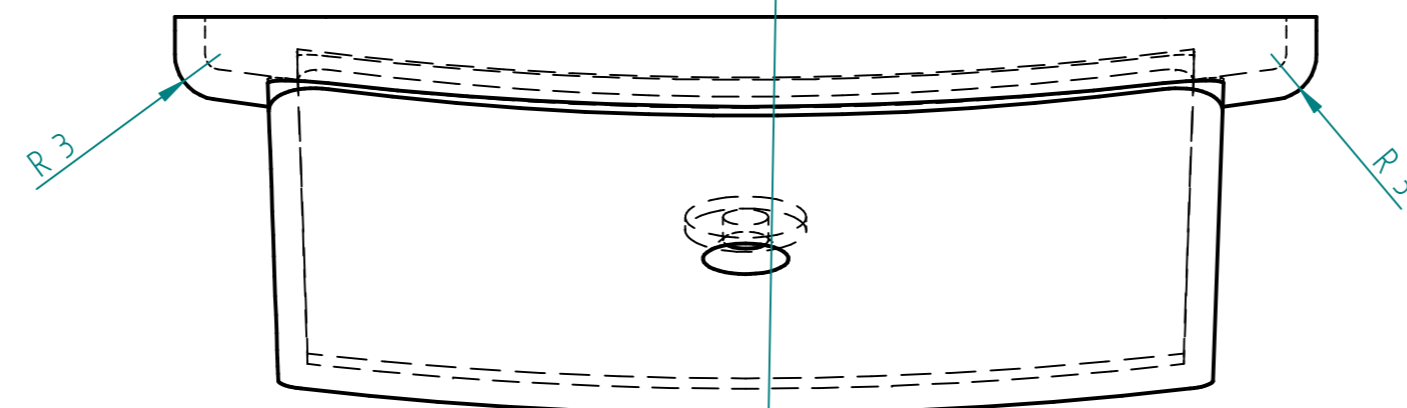
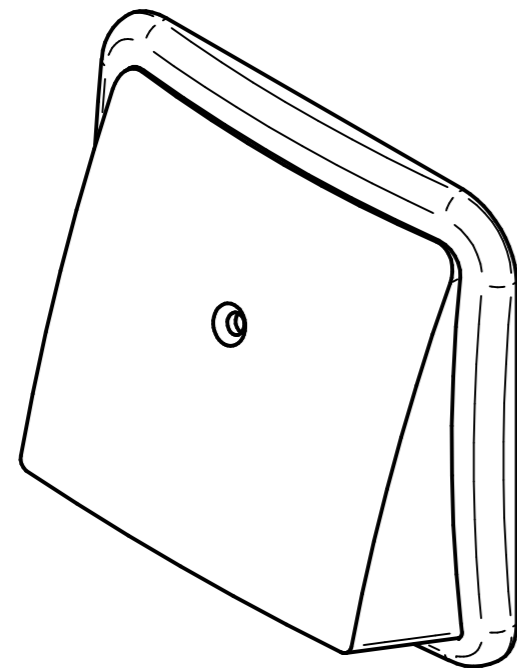
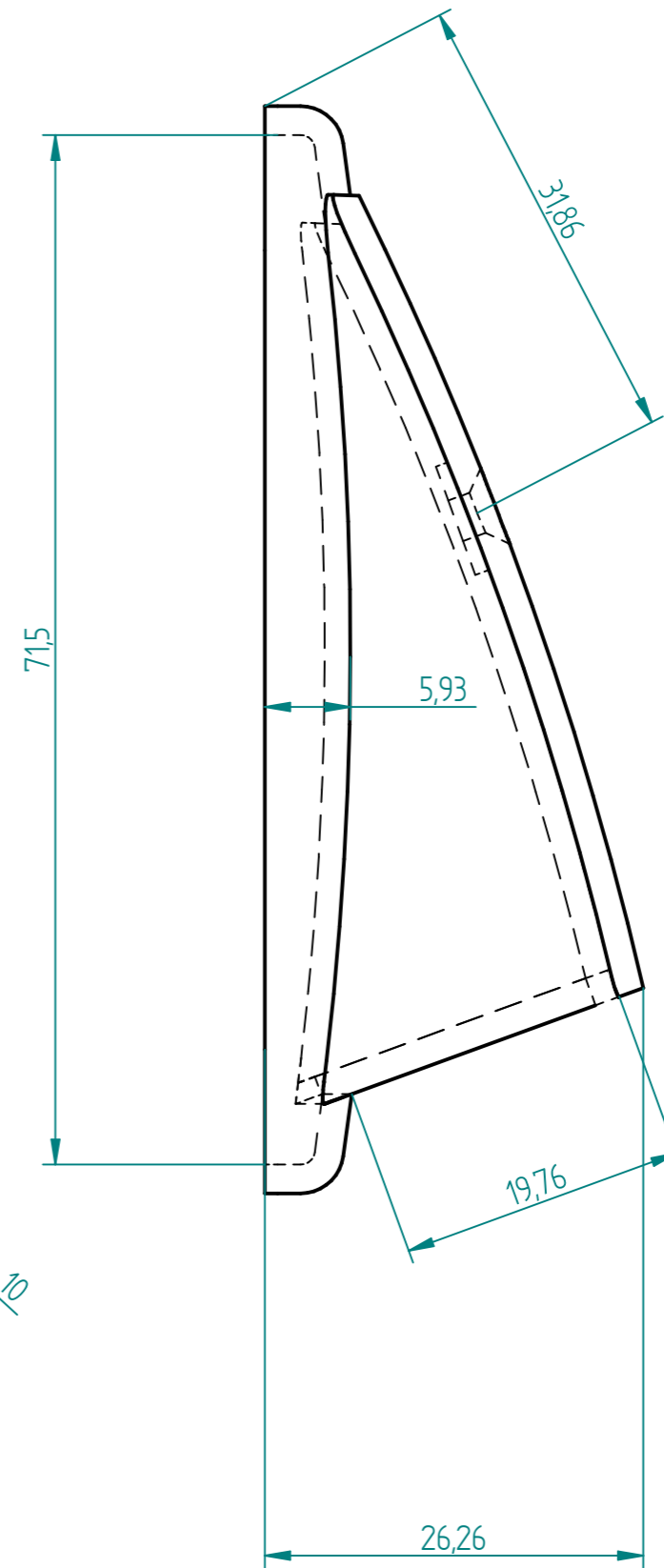
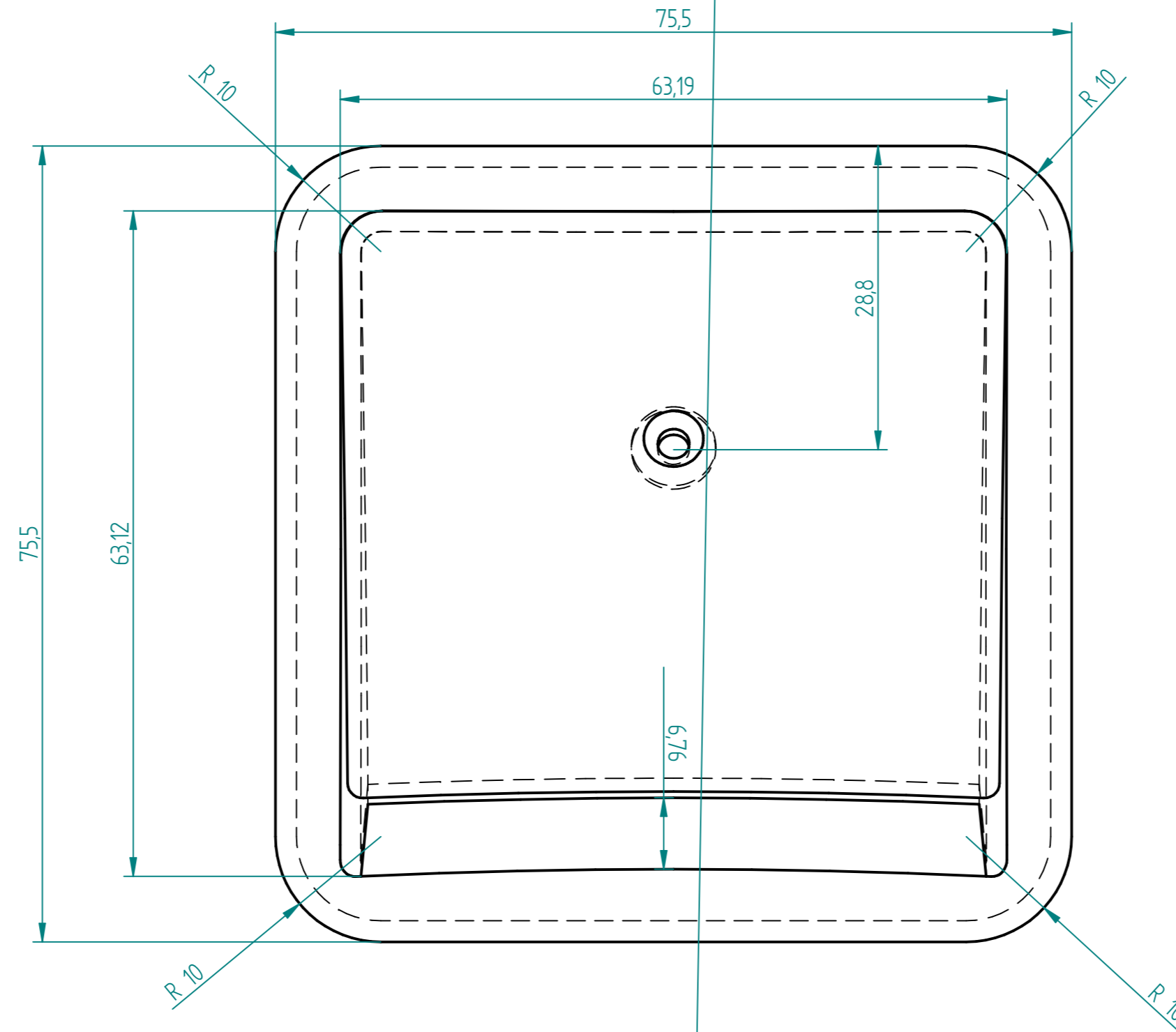
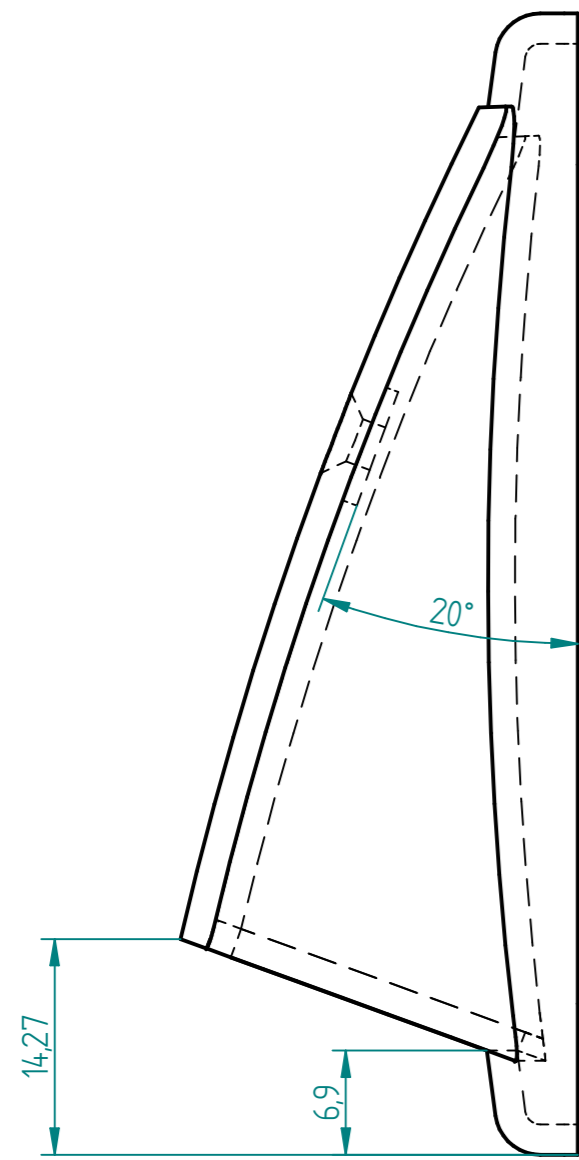
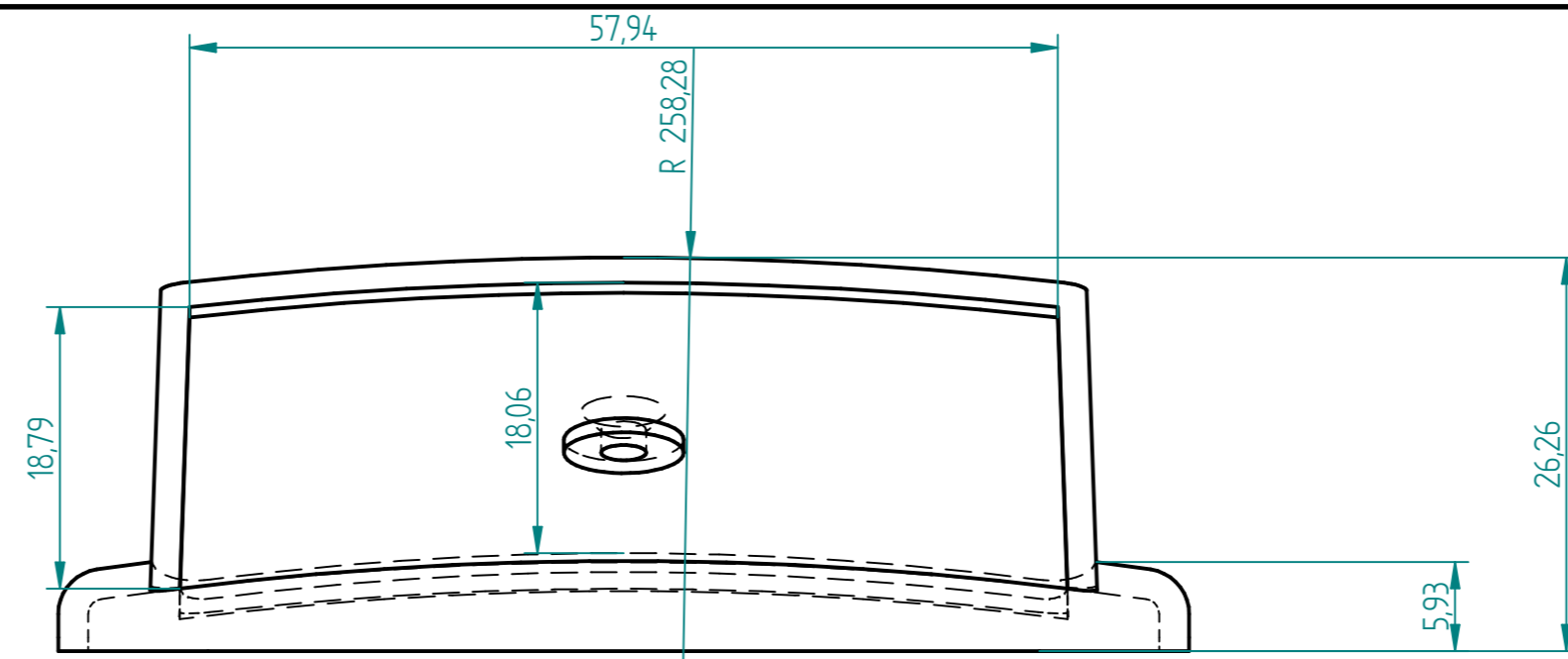
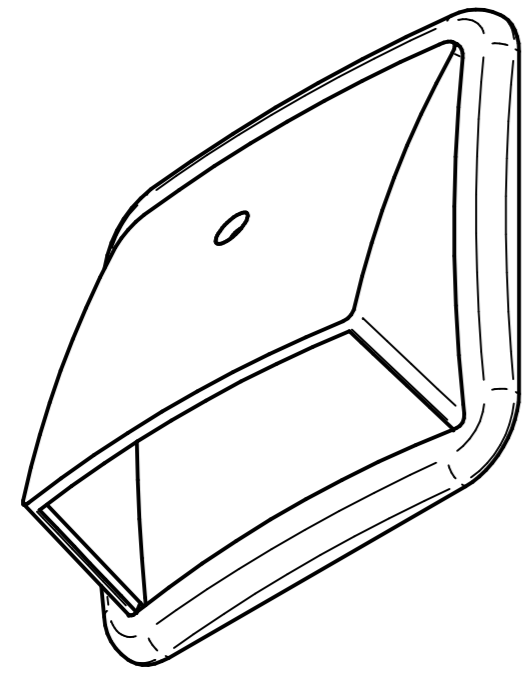


REVISION HISTORY			
REV	DESCRIPTION	DATE	APPROVED



DRAWN	user	DATE	11/29/14	Solid Edge
CHECKED				
ENG APPR				
MGR APPR				
UNLESS OTHERWISE SPECIFIED DIMENSIONS ARE IN MILLIMETERS ANGLES ±X.X° 2 PL ±X.XX 3 PL ±X.XXX				TITLE SIZE A2 DWG NO FILE NAME: WOC3.dft SCALE: WEIGHT: SHEET 1 OF 1