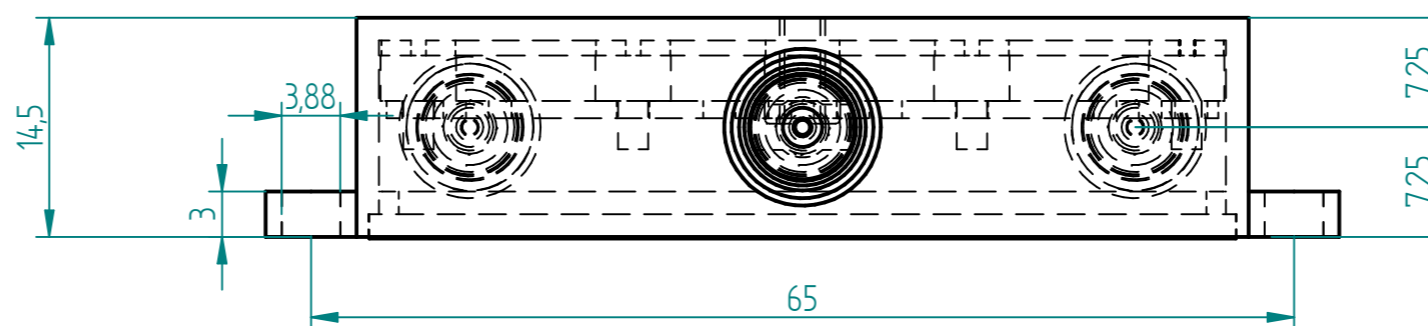
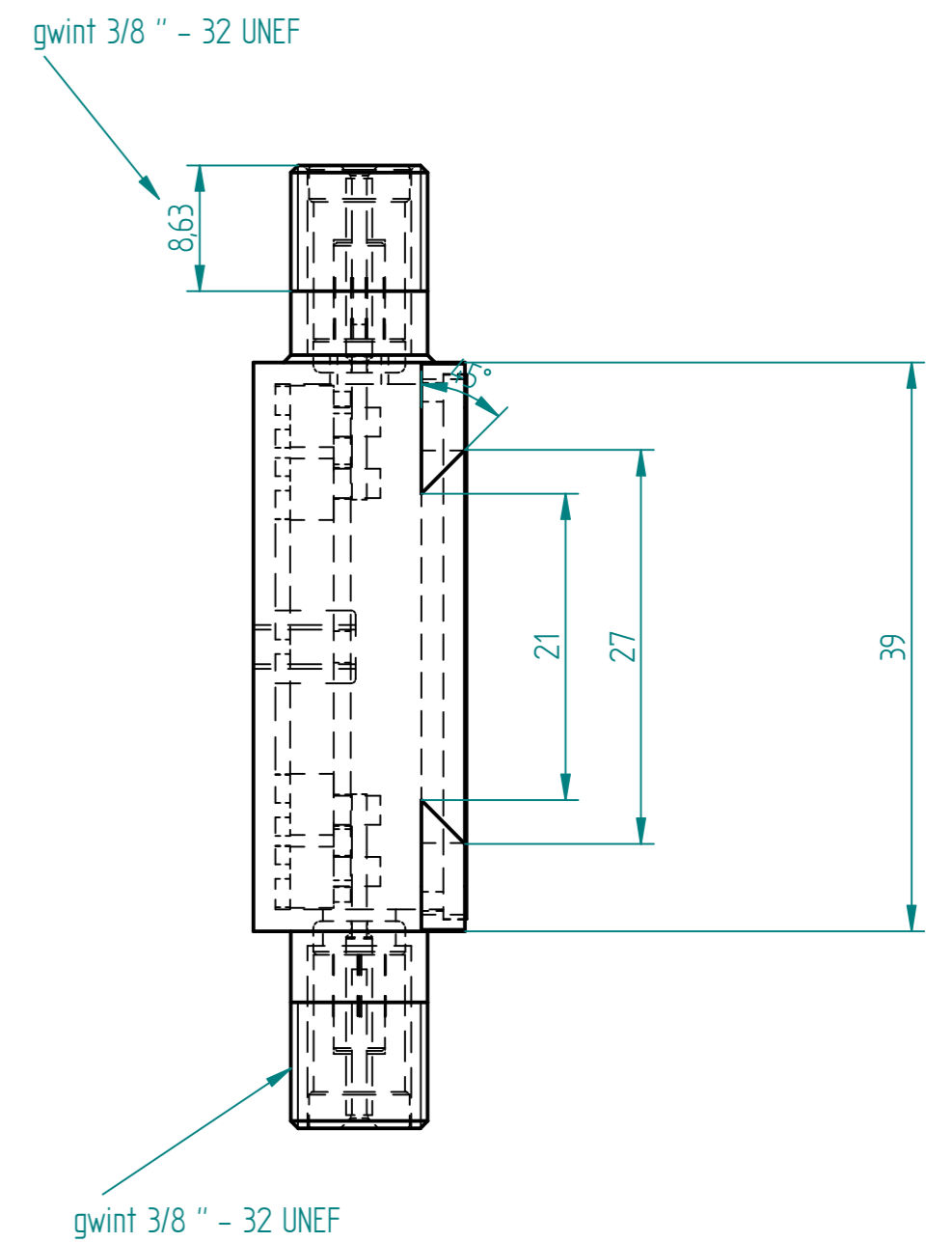
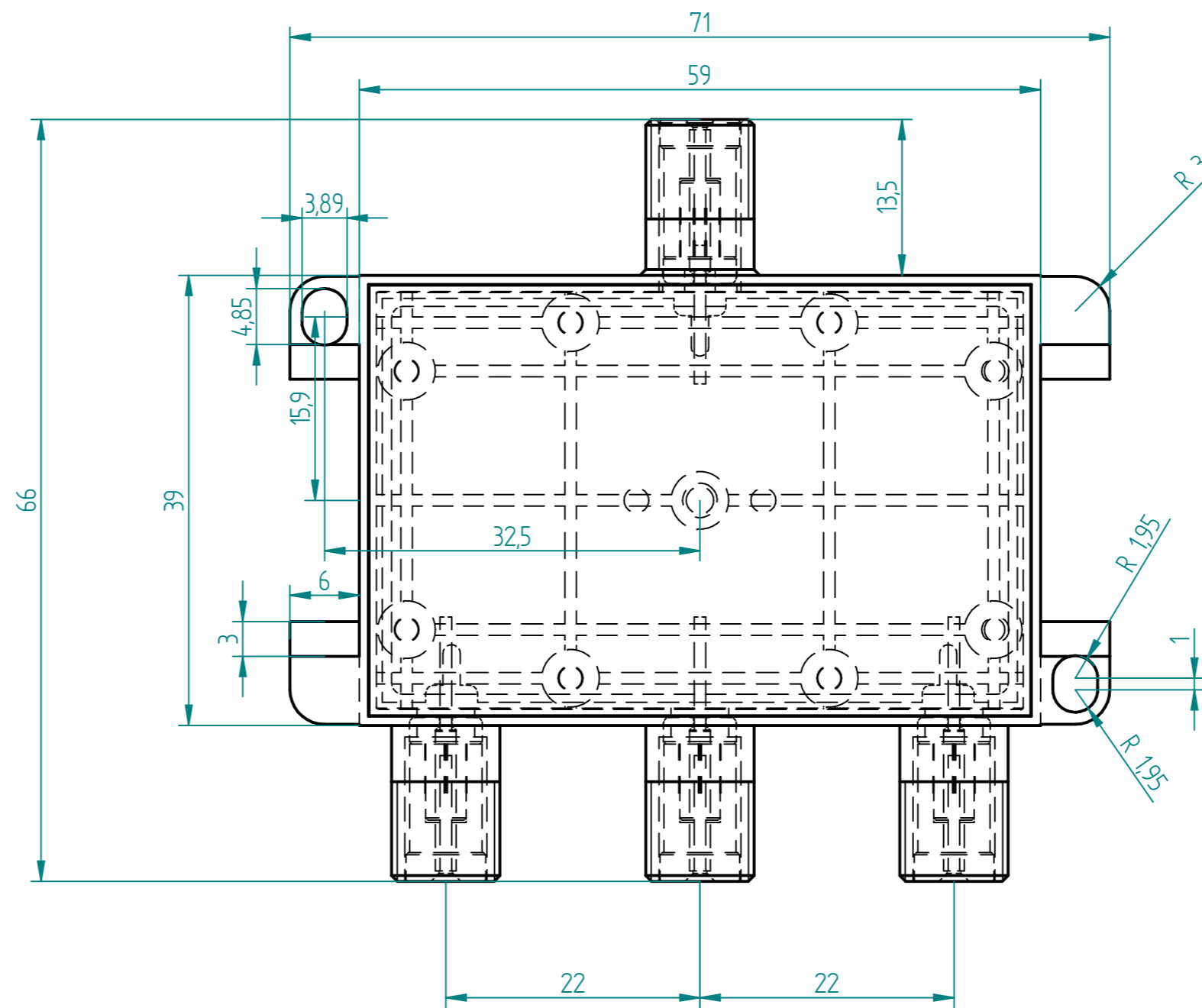
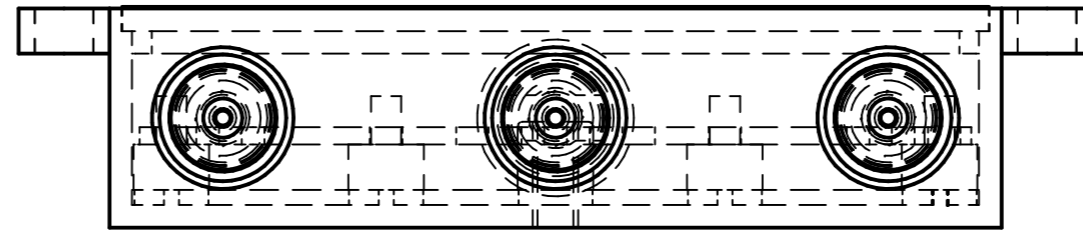
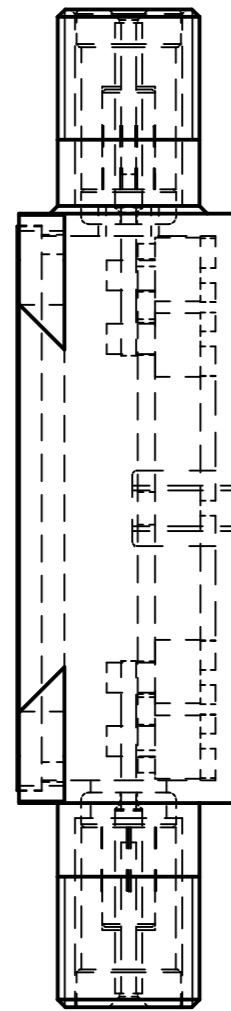
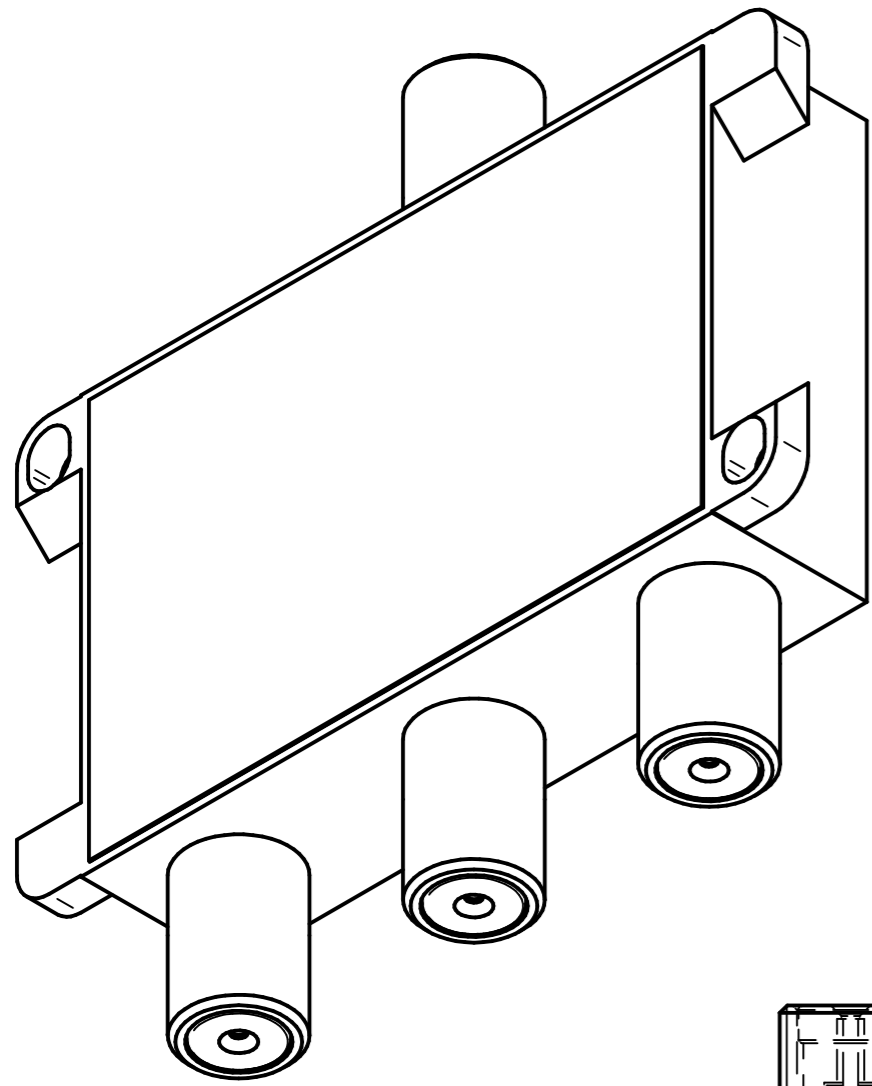


| REVISION HISTORY | | | |
|------------------|-------------|------|----------|
| REV | DESCRIPTION | DATE | APPROVED |
| | | | |



| | | | | | |
|---|------|----------|-----------------------------|---------|--------------|
| | NAME | DATE | Solid Edge | | |
| DRAWN | user | 11/13/14 | | | |
| CHECKED | | | TITLE | | |
| ENG APPR | | | SIZE | DWG NO | REV |
| MGR APPR | | | A2 | | |
| UNLESS OTHERWISE SPECIFIED DIMENSIONS ARE IN MILLIMETERS ANGLES ±X.X° 2 PL ±XXX 3 PL ±XXXX | | | FILE NAME: rod3-1_3 kpL.dft | | |
| | | | SCALE: | WEIGHT: | SHEET 1 OF 1 |