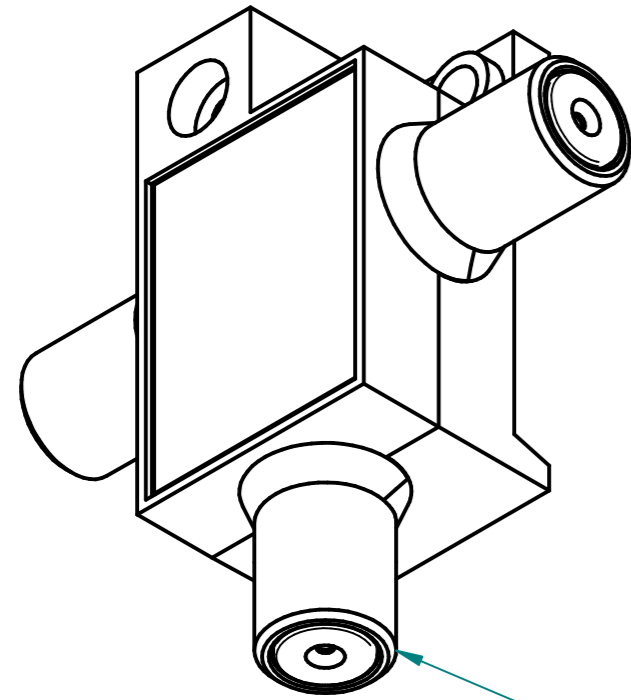
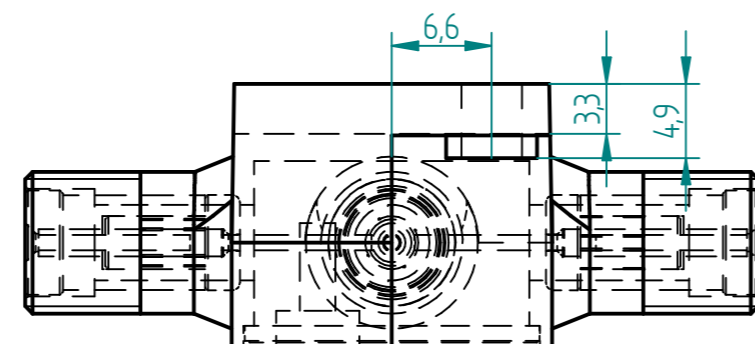
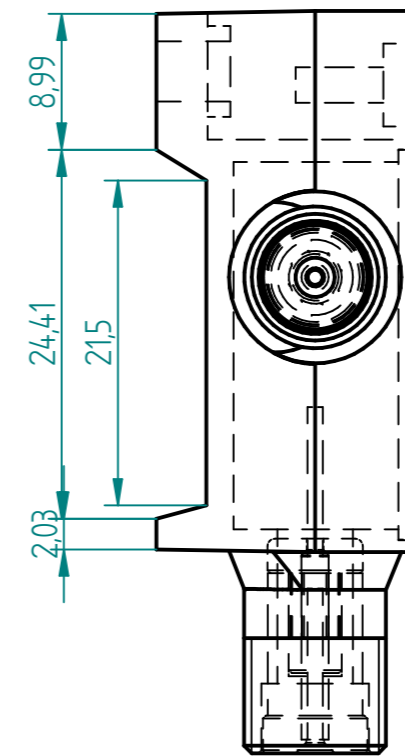
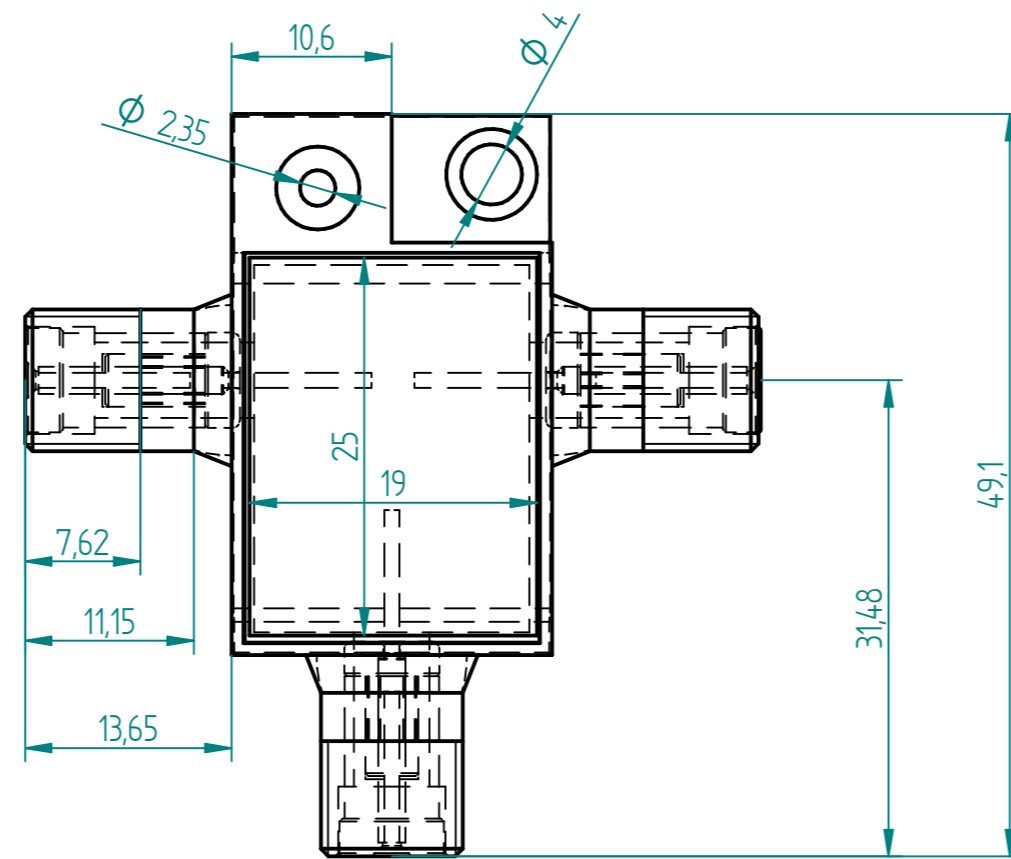
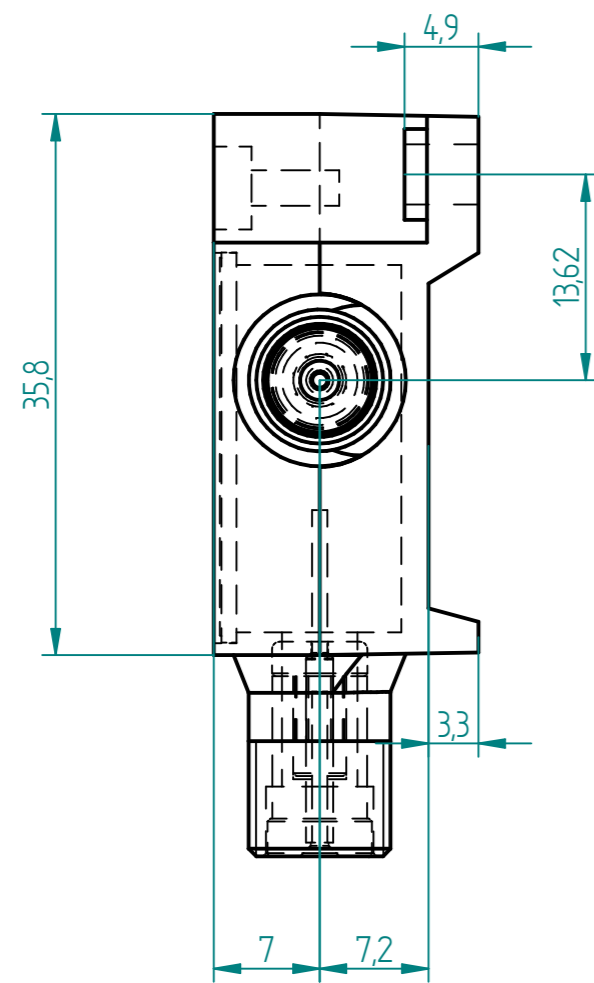
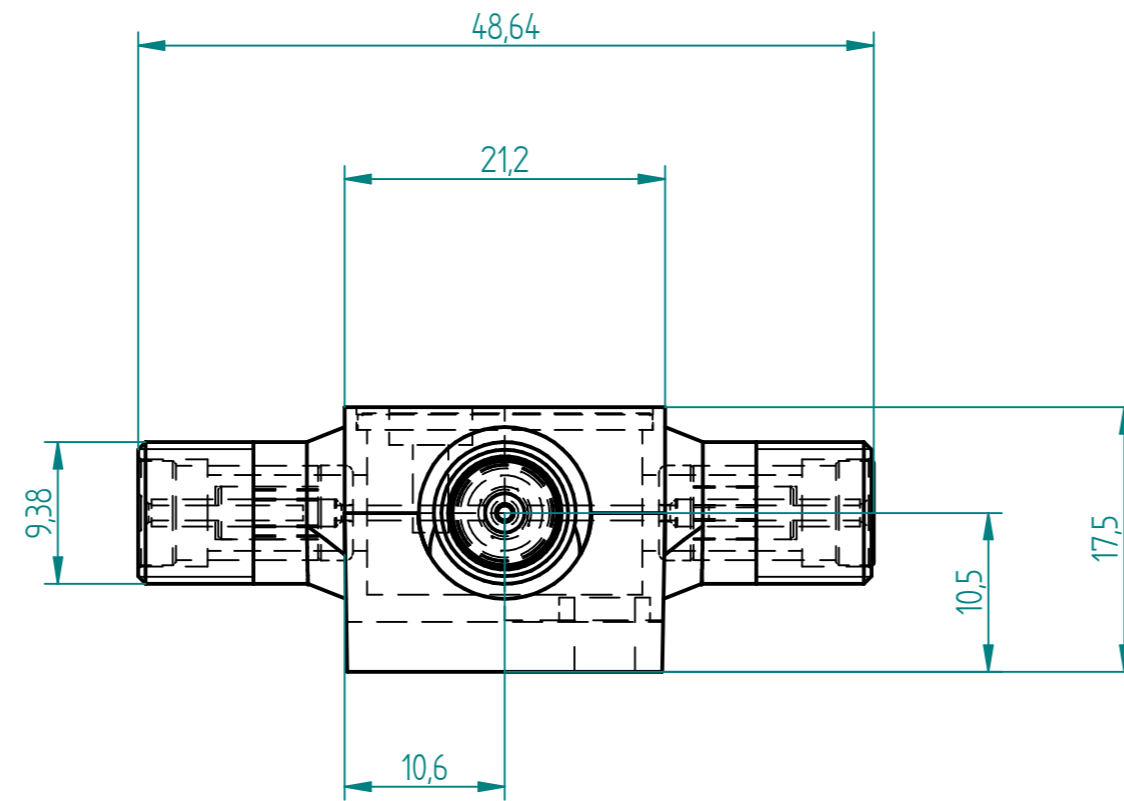


REVISION HISTORY			
REV	DESCRIPTION	DATE	APPROVED



gwint 3/8" - 32 UNEF



	NAME	DATE	Solid Edge	
DRAWN	user	11/13/14		
CHECKED			TITLE	
ENG APPR				
MGR APPR				
UNLESS OTHERWISE SPECIFIED DIMENSIONS ARE IN MILLIMETERS ANGLES ±X.X° 2 PL ±XXX 3 PL ±XXXX			SIZE A2	DWG NO
			FILE NAME: rod1 wymiarowanie.dft	REV
			SCALE:	WEIGHT: SHEET 1 OF 1