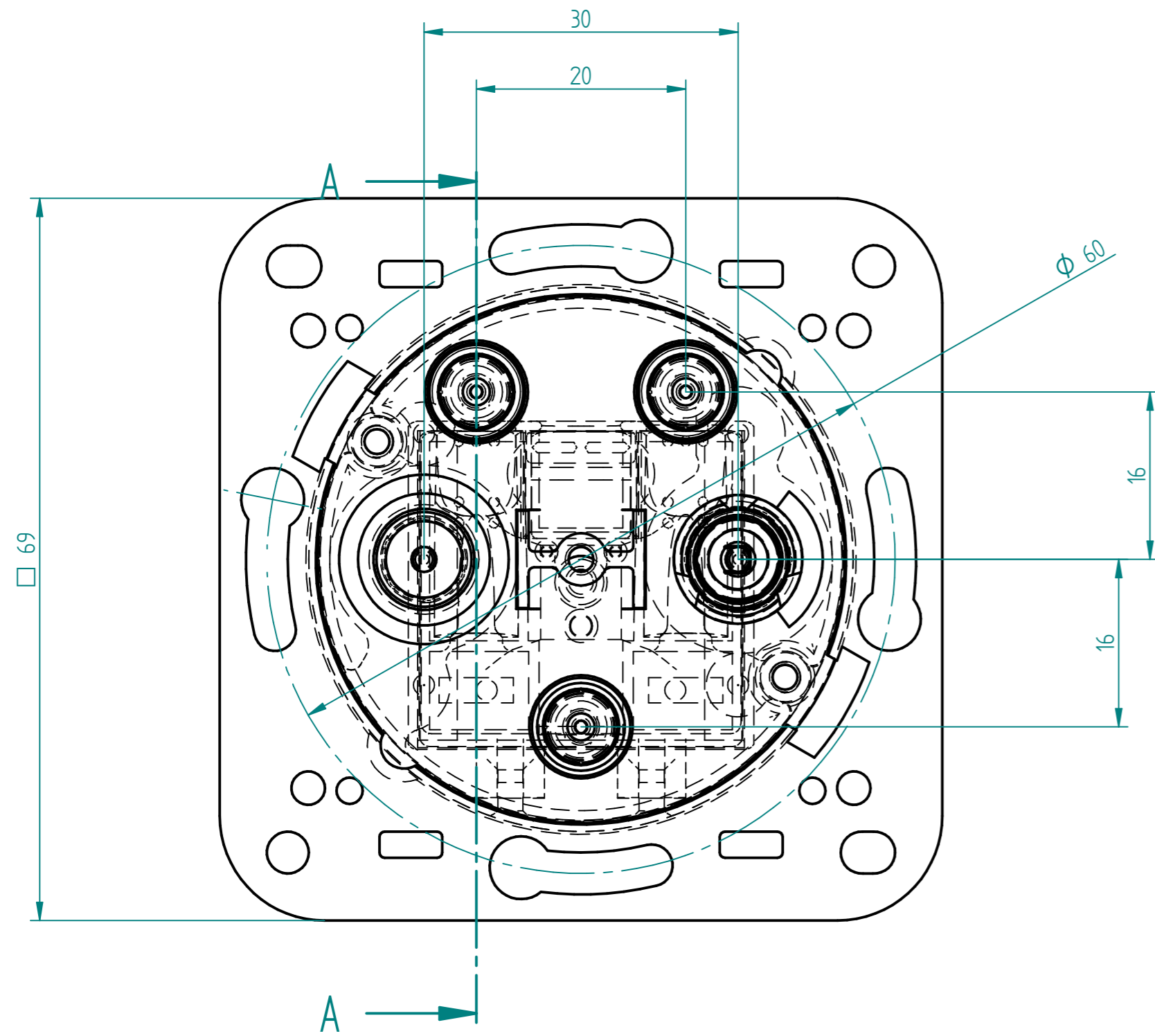
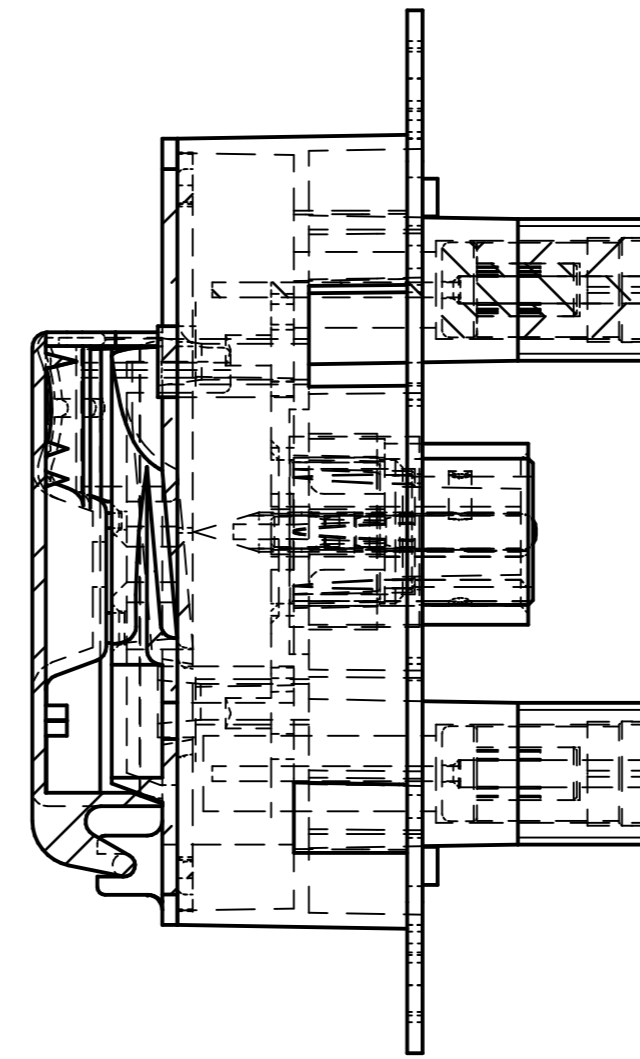


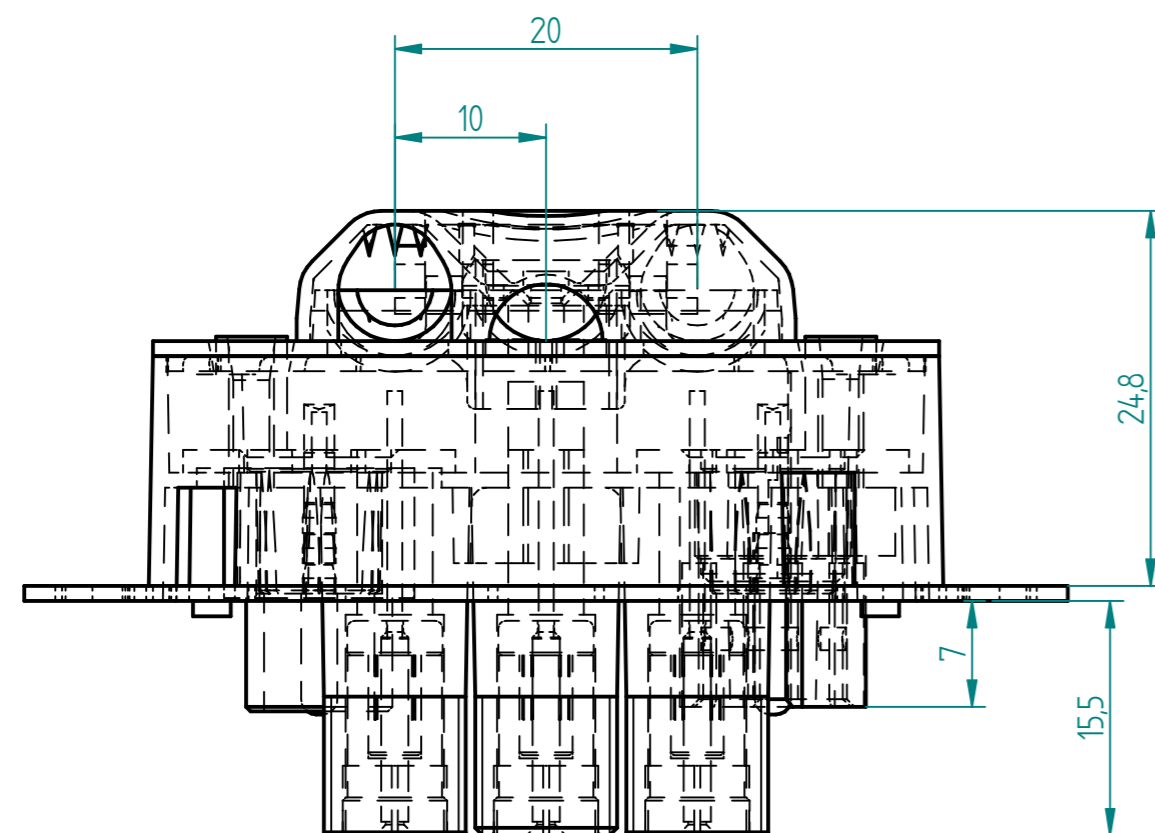
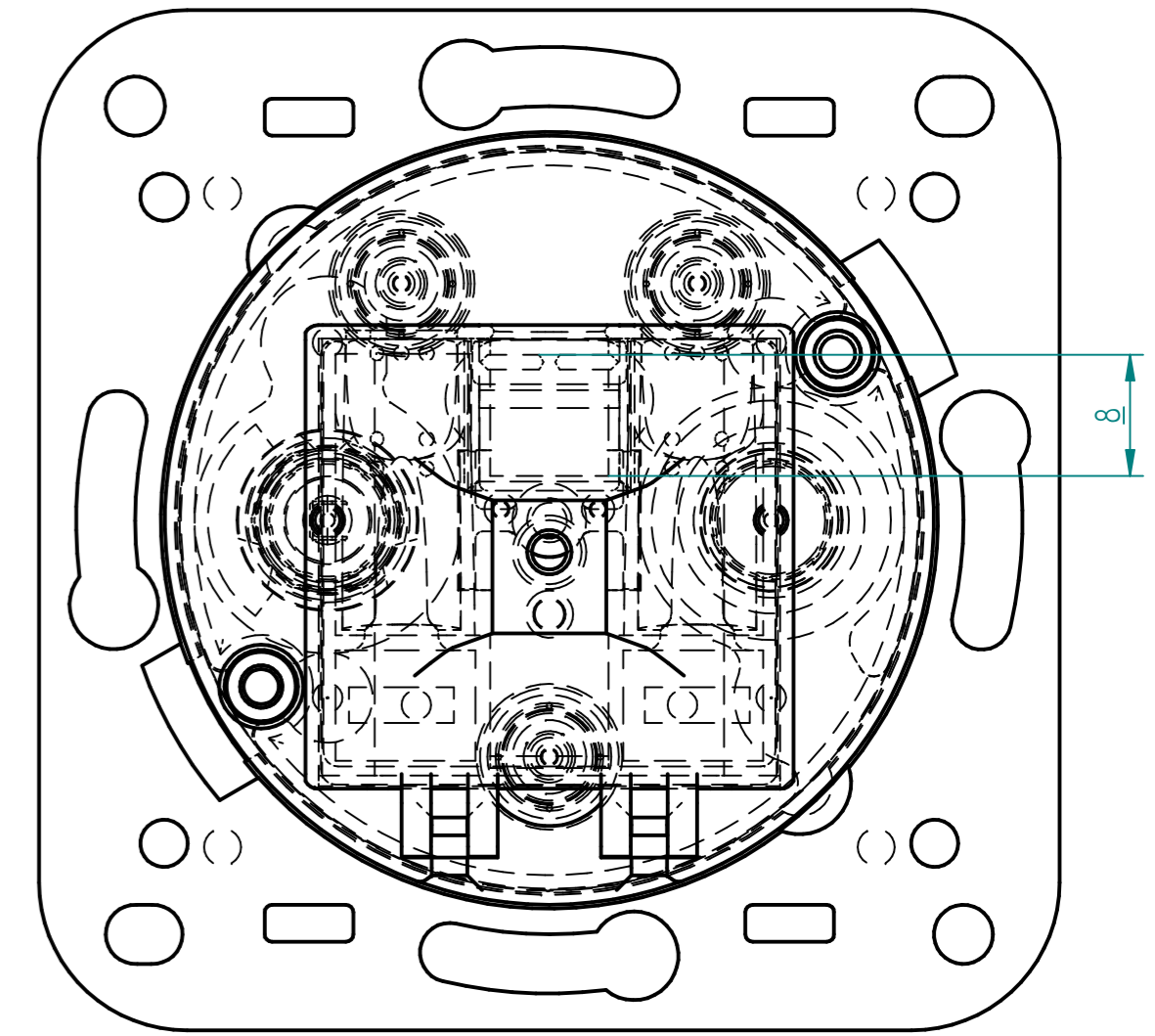
| REVISION HISTORY | | | |
|------------------|-------------|------|----------|
| REV | DESCRIPTION | DATE | APPROVED |
| | | | |



wymiar moze byc tez 7mm lub 20mm



Przekrój A-A



| | | | | |
|---|-------------|----------|------------------------|------------|
| | NAME | DATE | Solid Edge | |
| DRAWN | Mechaniczny | 04/15/11 | TITLE | |
| CHECKED | | | | |
| ENG APPR | | | | |
| MGR APPR | | | | |
| UNLESS OTHERWISE SPECIFIED DIMENSIONS ARE IN MILLIMETERS ANGLES ±X.X° 2 PL ±X.XX 3 PL ±X.XXX | | | SIZE A2 | DWG NO |
| | | | FILE NAME: wymiary.dft | REV |
| | | | SCALE: | WEIGHT: |
| | | | SHEET 1 OF 1 | |