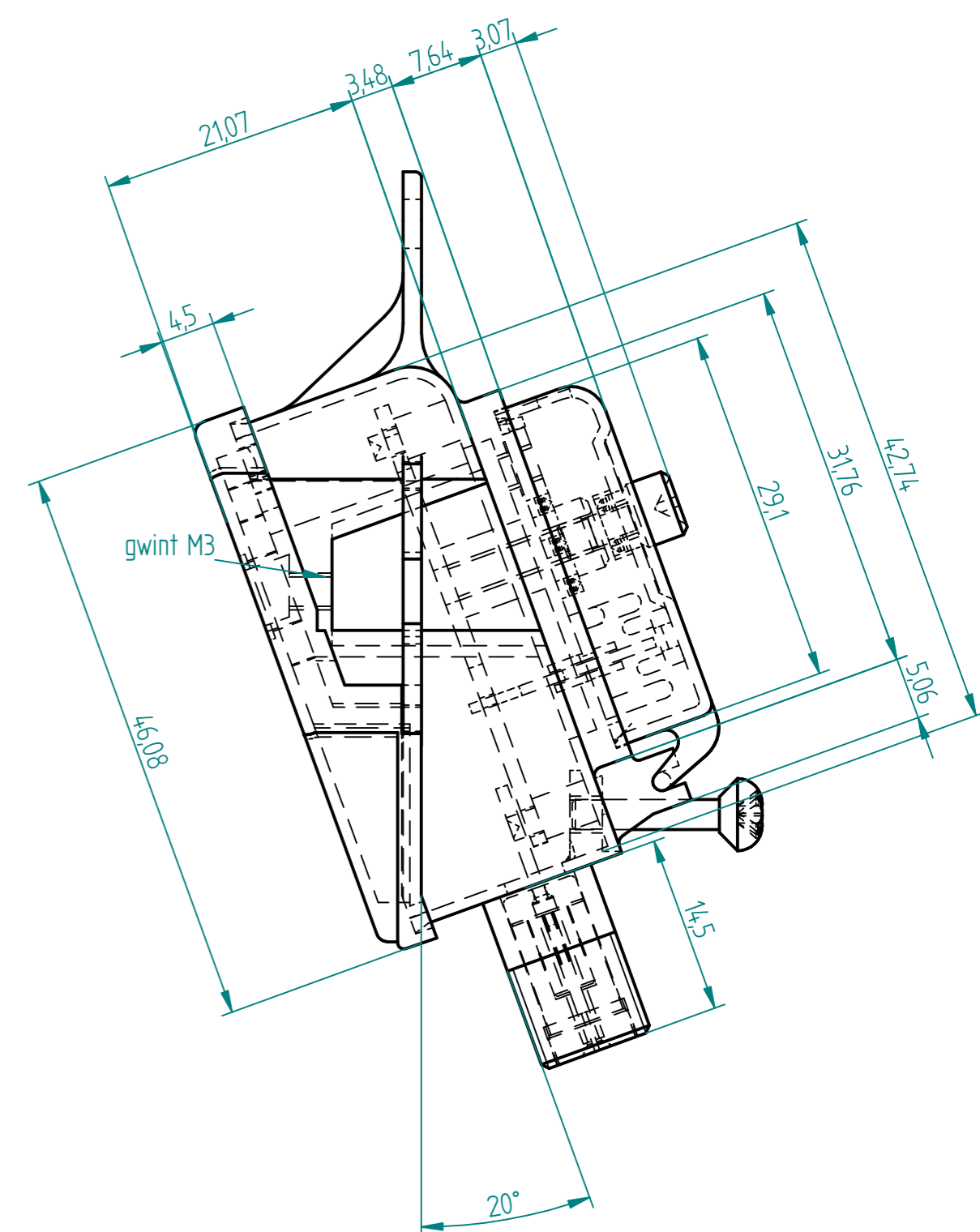
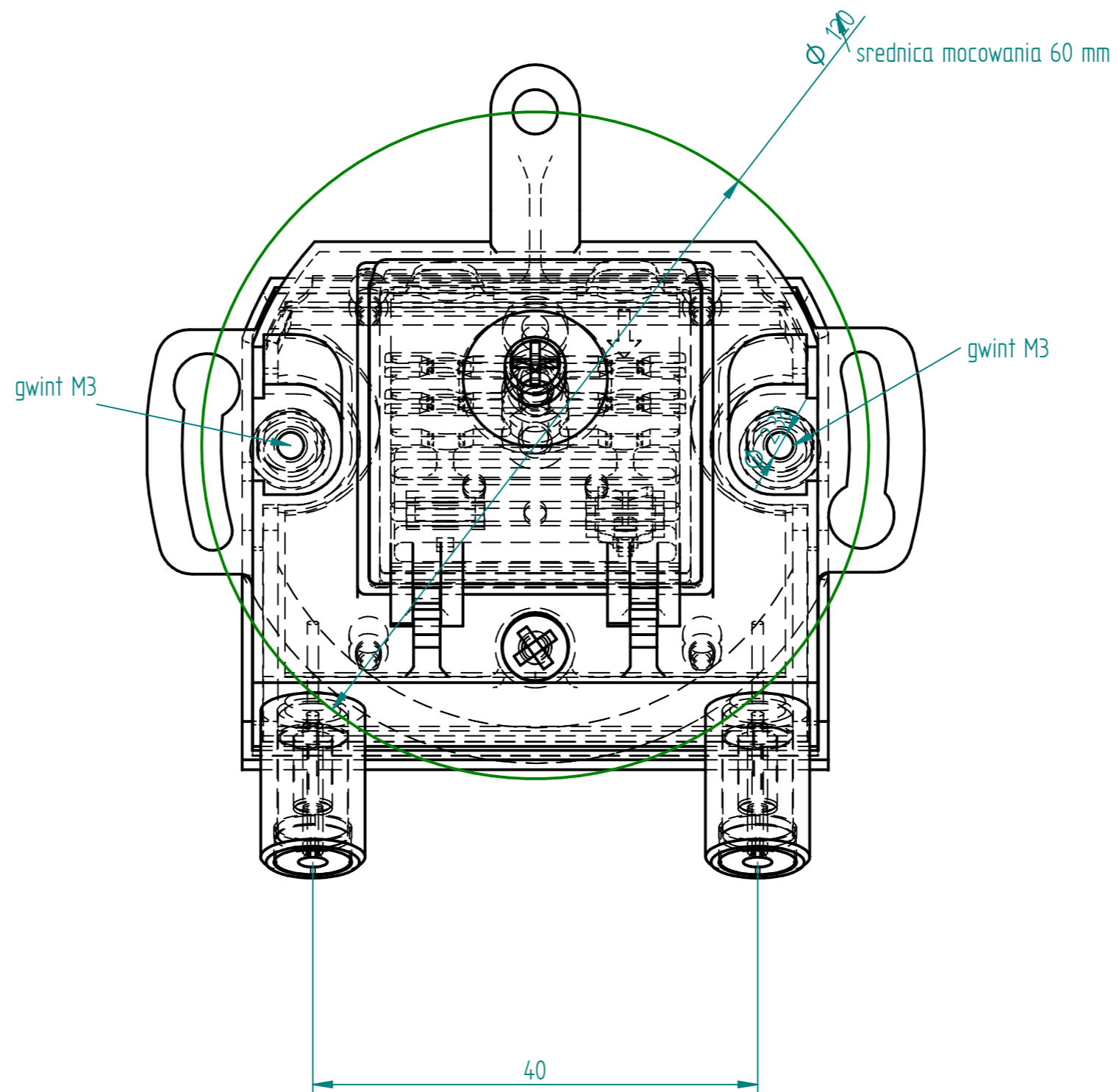
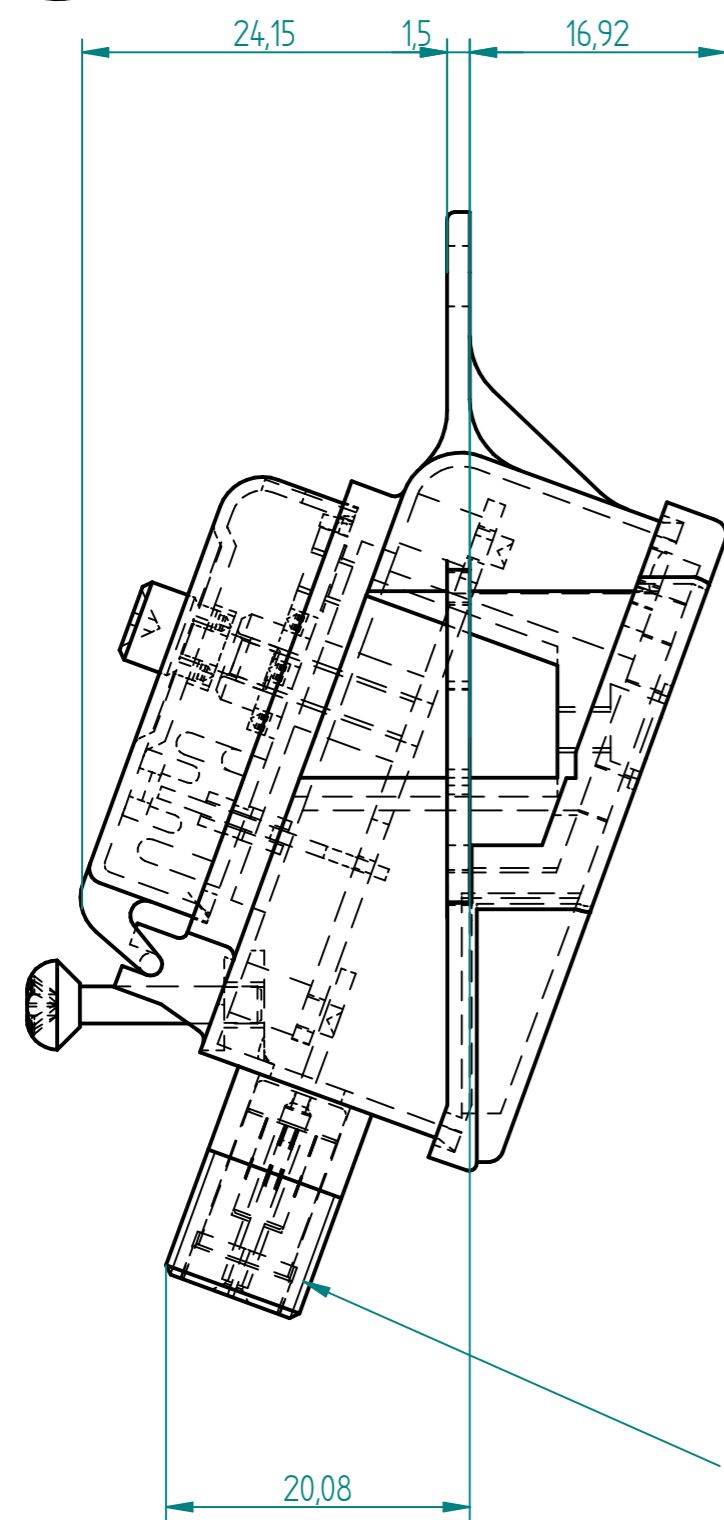
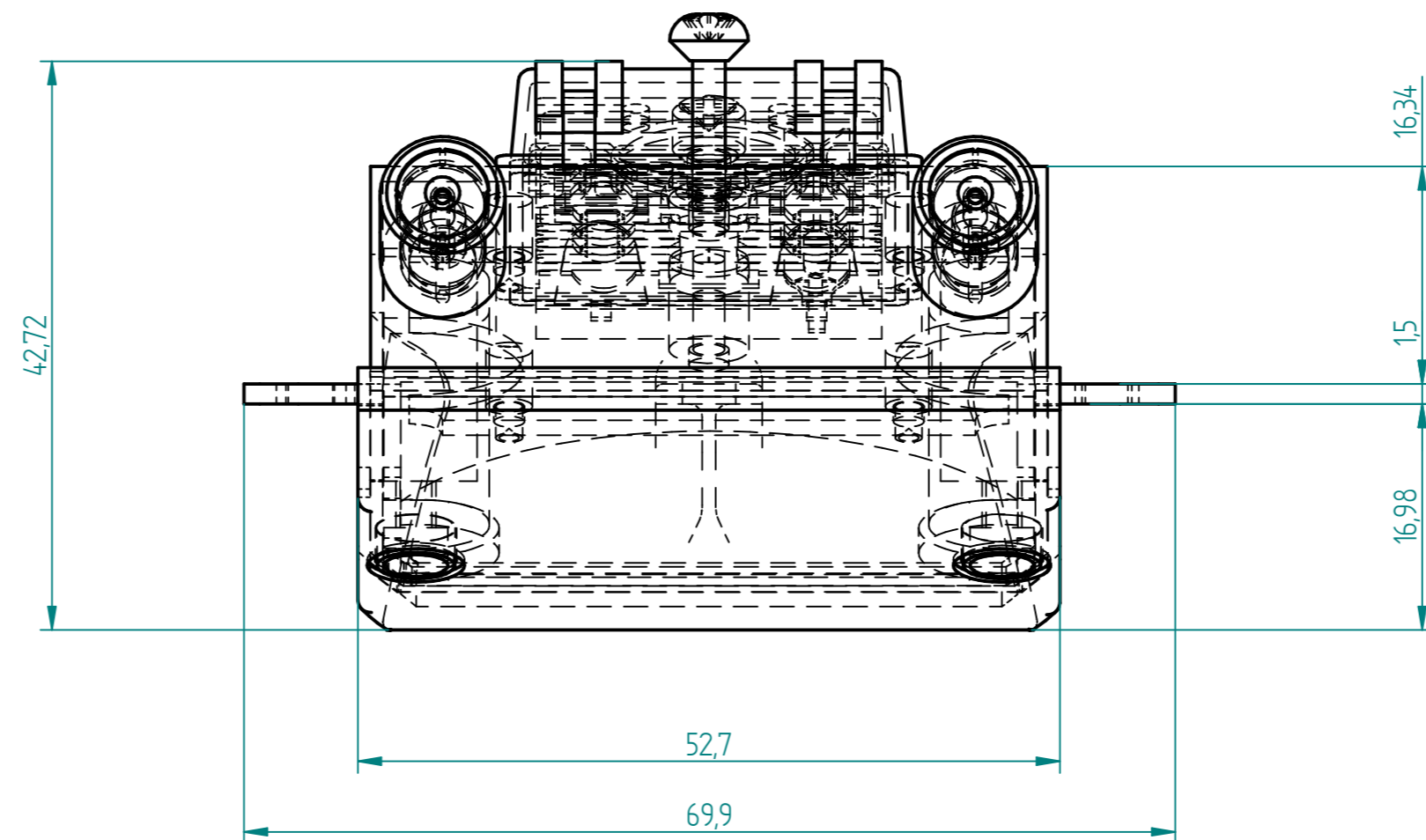
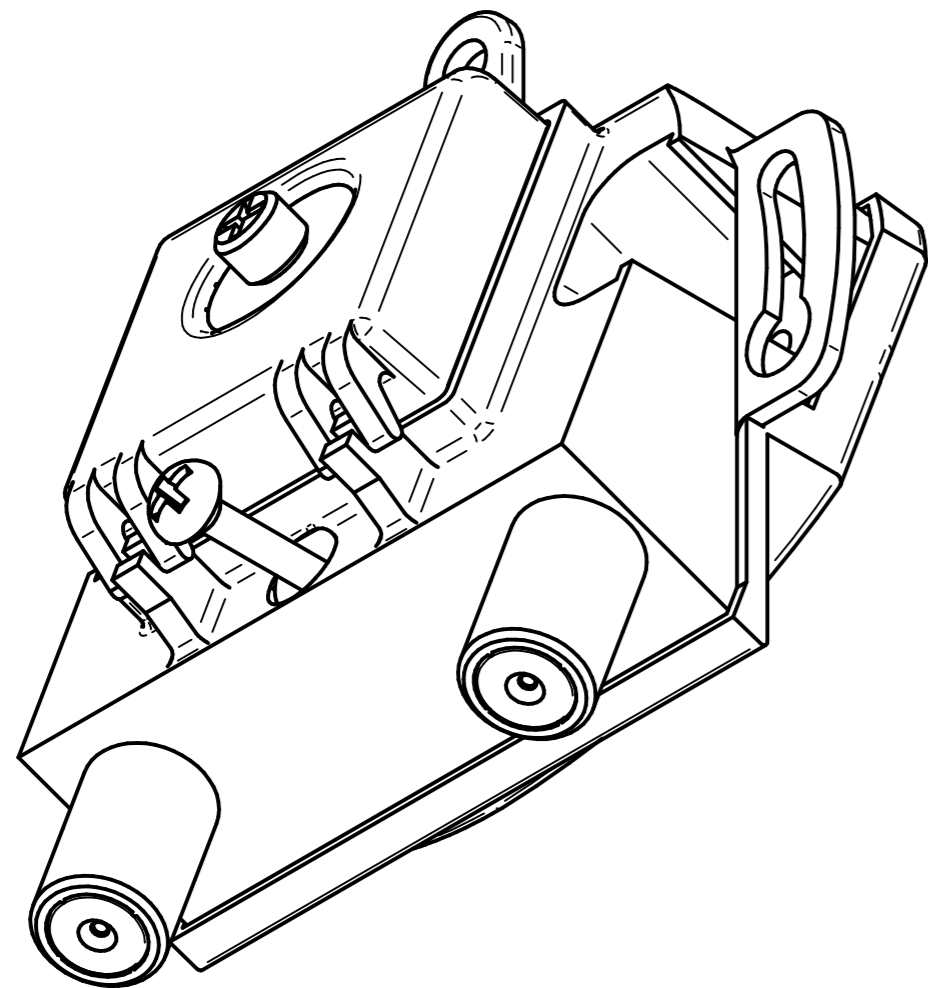


REVISION HISTORY			
REV	DESCRIPTION	DATE	APPROVED



	NAME	DATE	Solid Edge	
DRAWN	Mechaniczny	11/14/14	TITLE	
CHECKED			SIZE	DWG NO
ENG APPR			A2	
MGR APPR			FILE NAME:	REV
UNLESS OTHERWISE SPECIFIED DIMENSIONS ARE IN MILLIMETERS ANGLES ±X.X° 2 PL ±XXX 3 PL ±XXXX			OC7-2 kpl.dft	
SCALE:			WEIGHT:	SHEET 1 OF 1