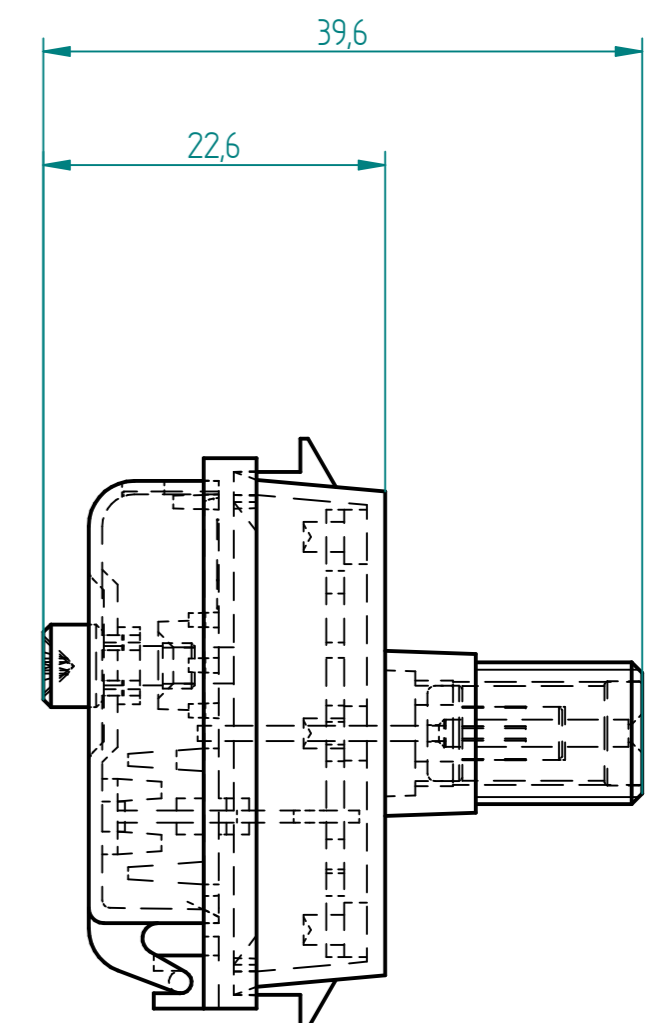
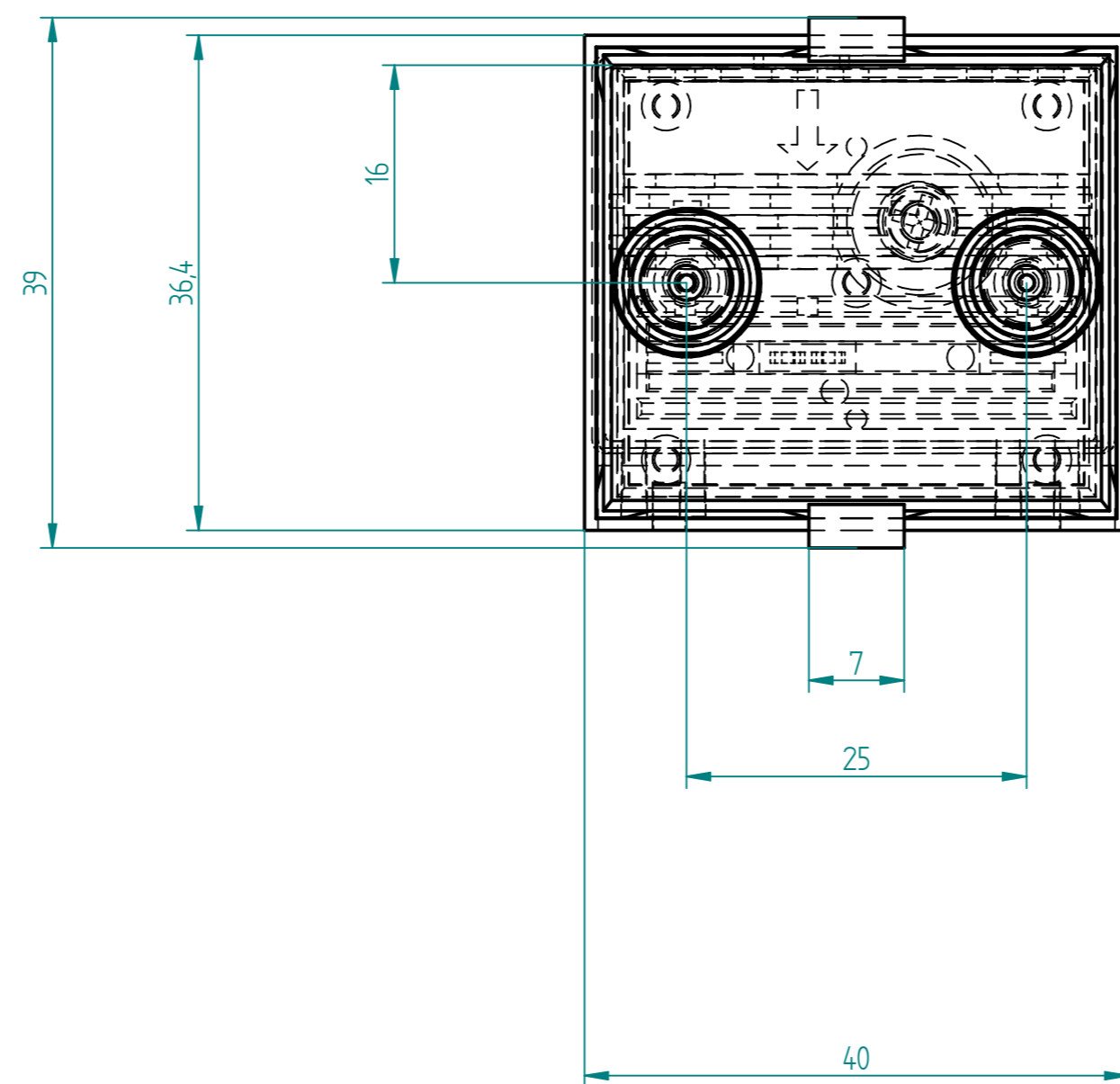
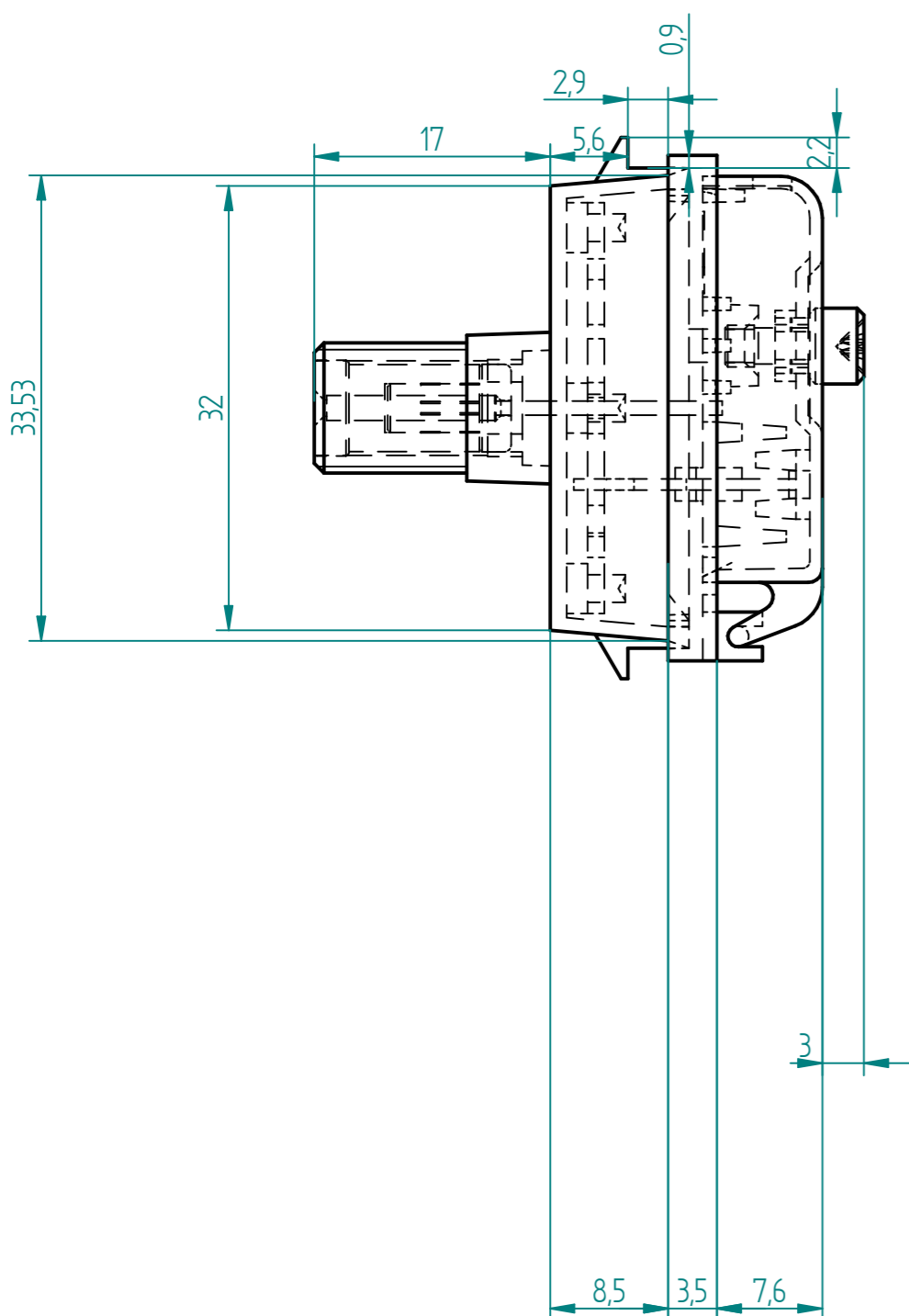
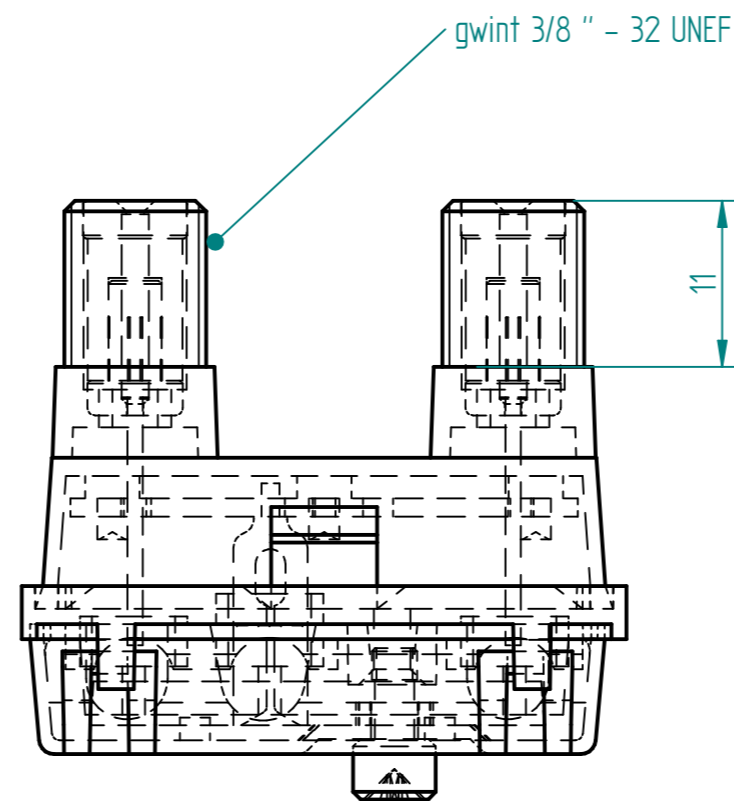
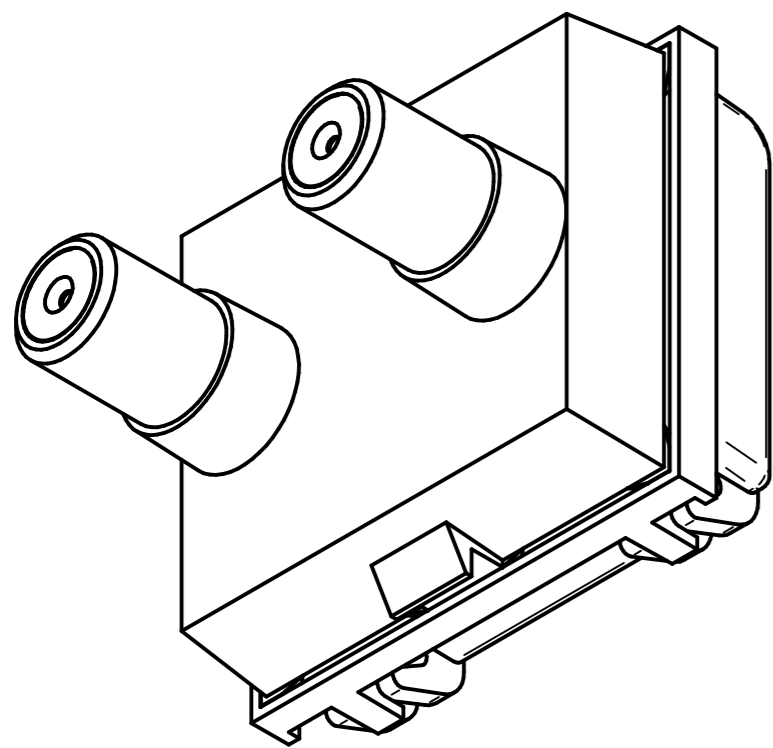


REVISION HISTORY			
REV	DESCRIPTION	DATE	APPROVED



	NAME	DATE	Solid Edge		
DRAWN	Mechaniczny	11/14/14			
CHECKED					
ENG APPR					
MGR APPR			TITLE		
UNLESS OTHERWISE SPECIFIED DIMENSIONS ARE IN MILLIMETERS ANGLES ±X.X° 2 PL ±X.XX 3 PL ±X.XXX			SIZE	DWG NO	REV
			A2		
FILE NAME: oc6F_kpl.dft			SCALE:	WEIGHT:	SHEET 1 OF 1