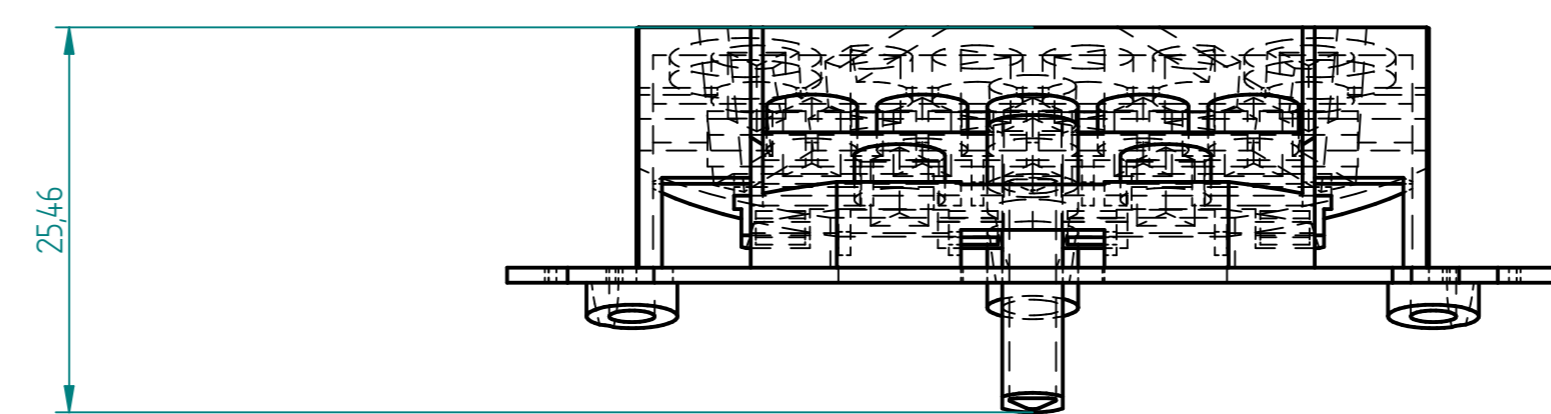
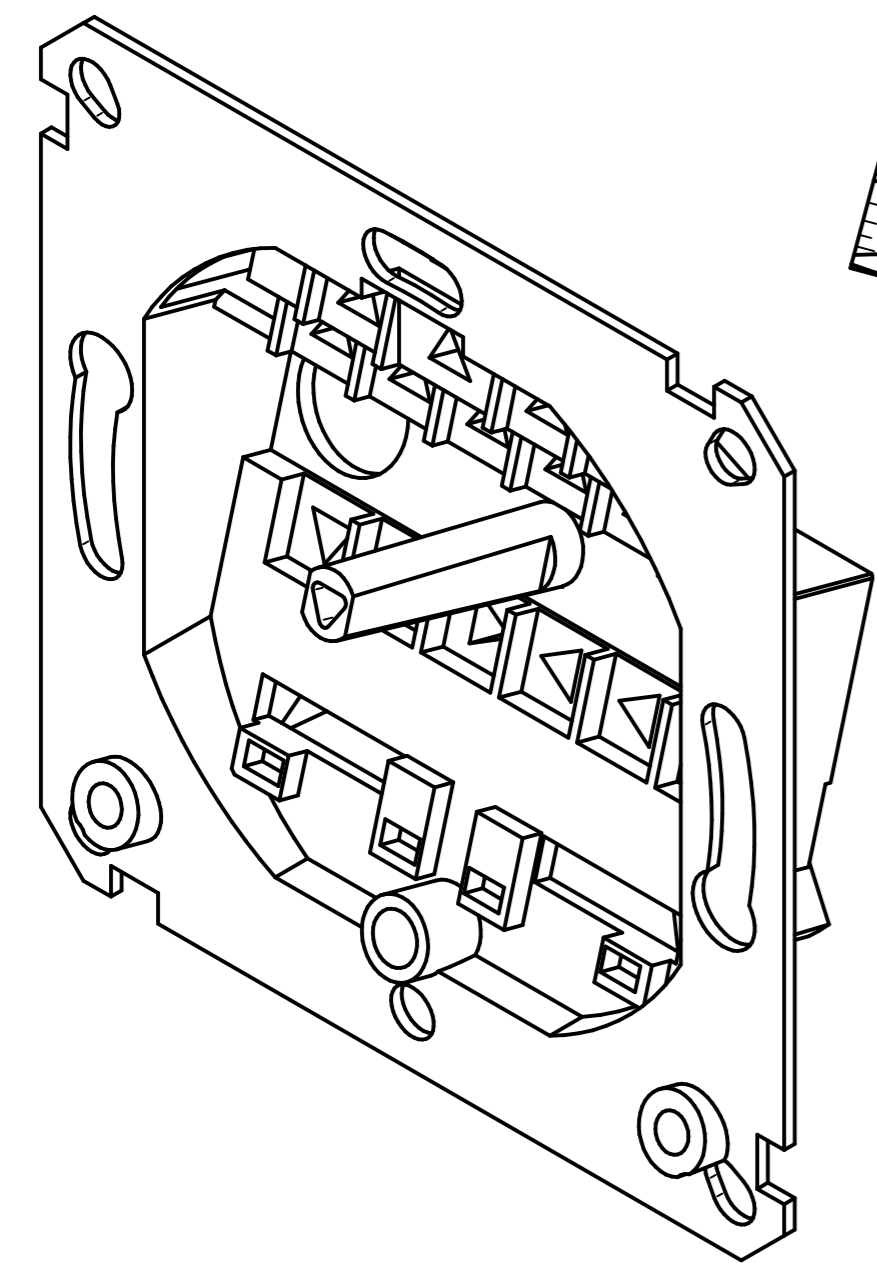
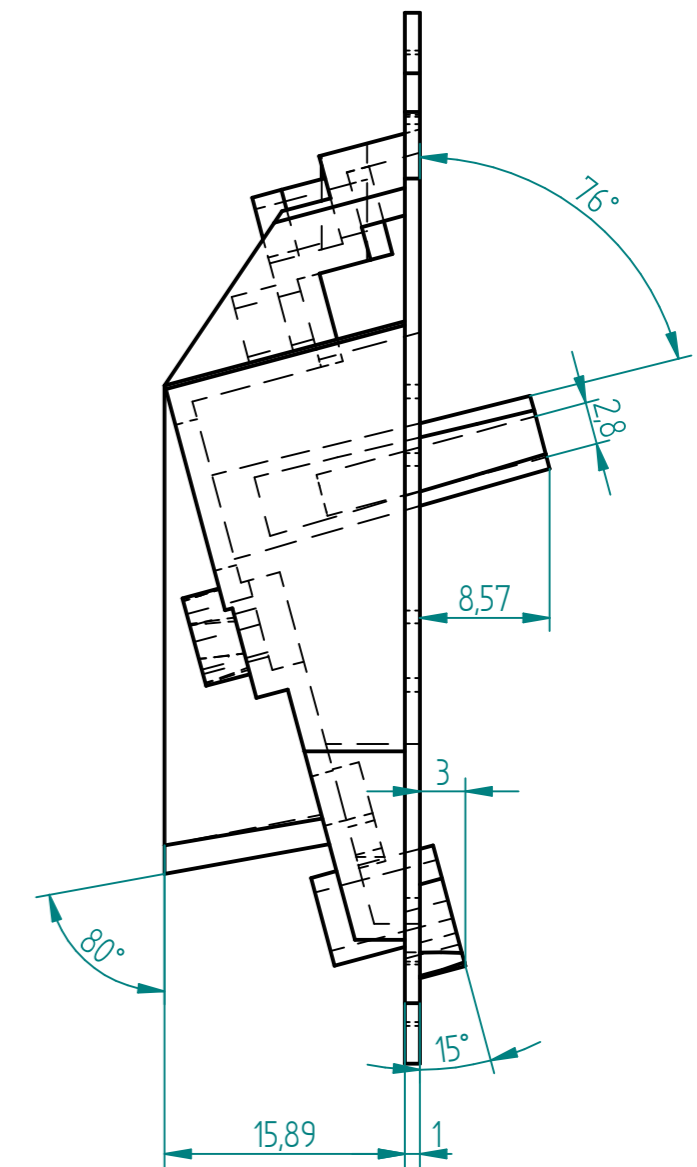
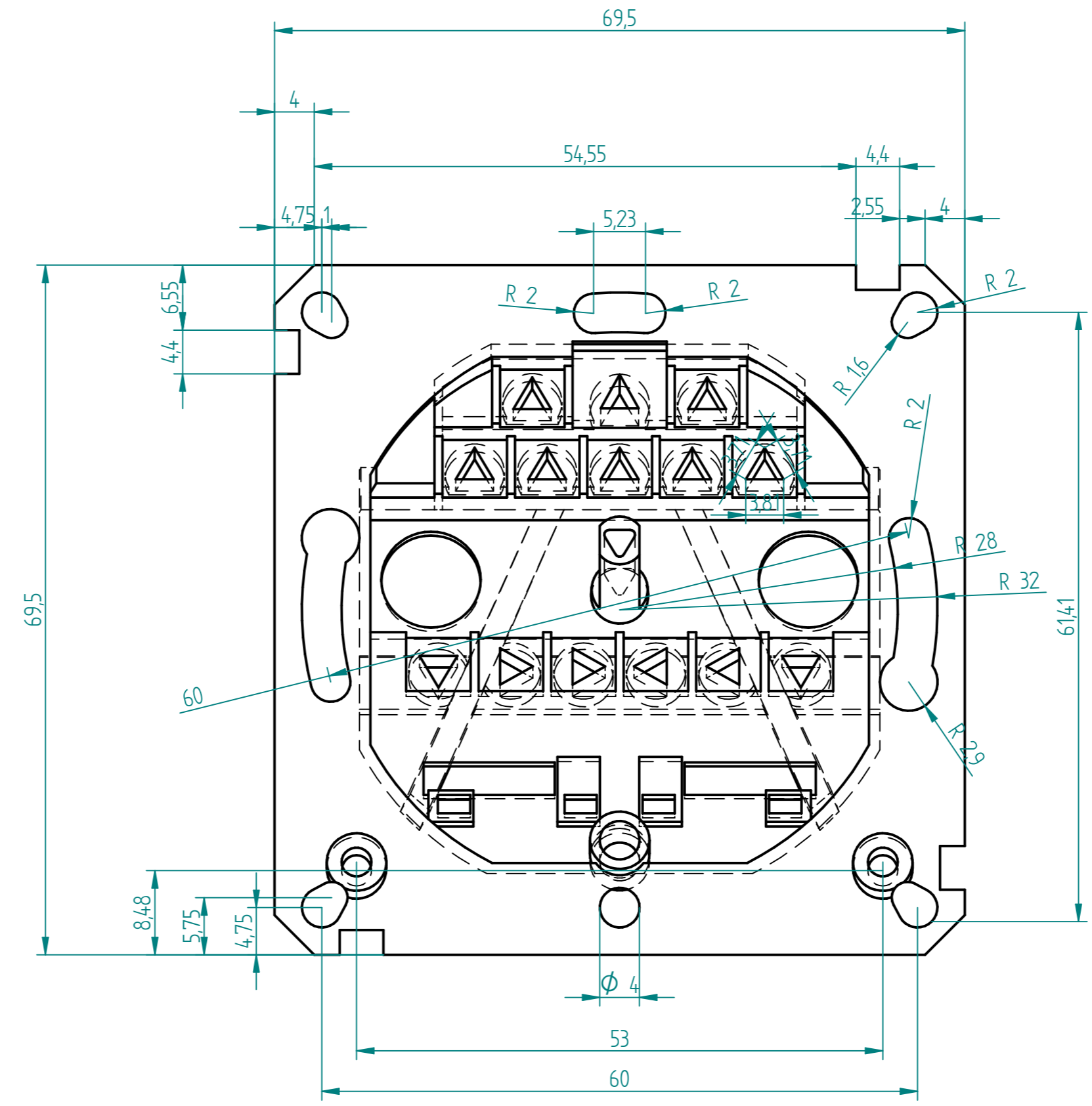
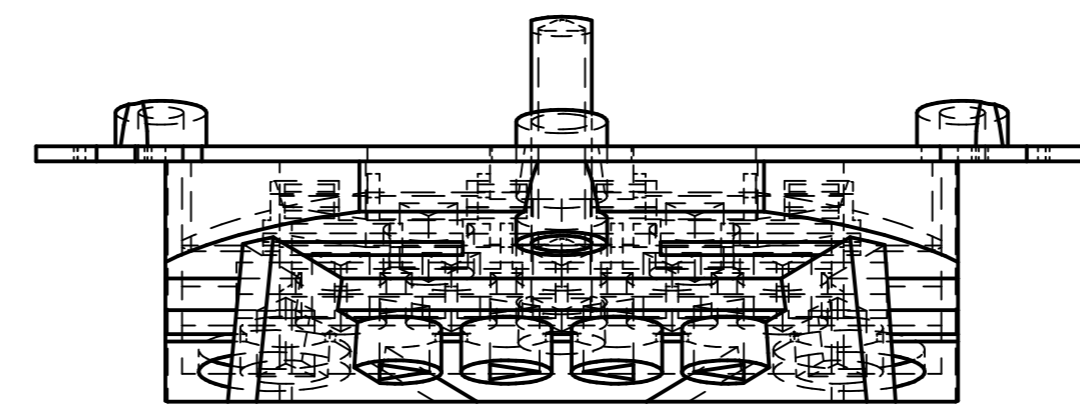
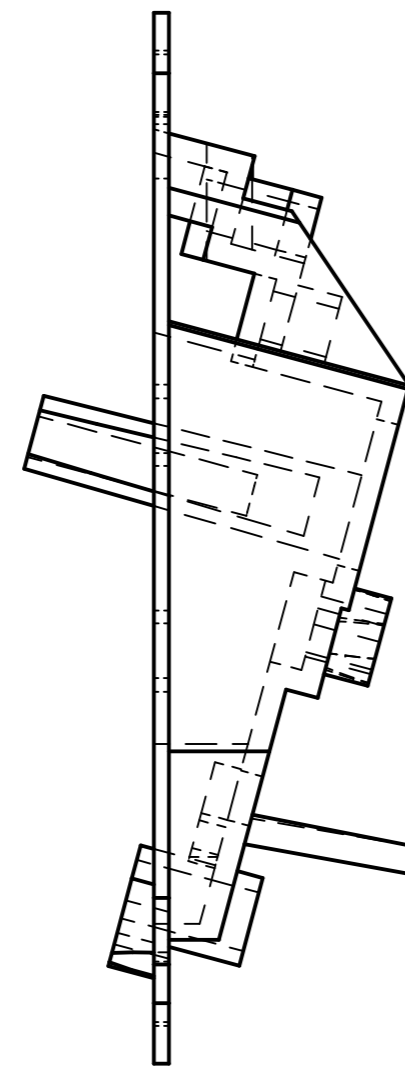
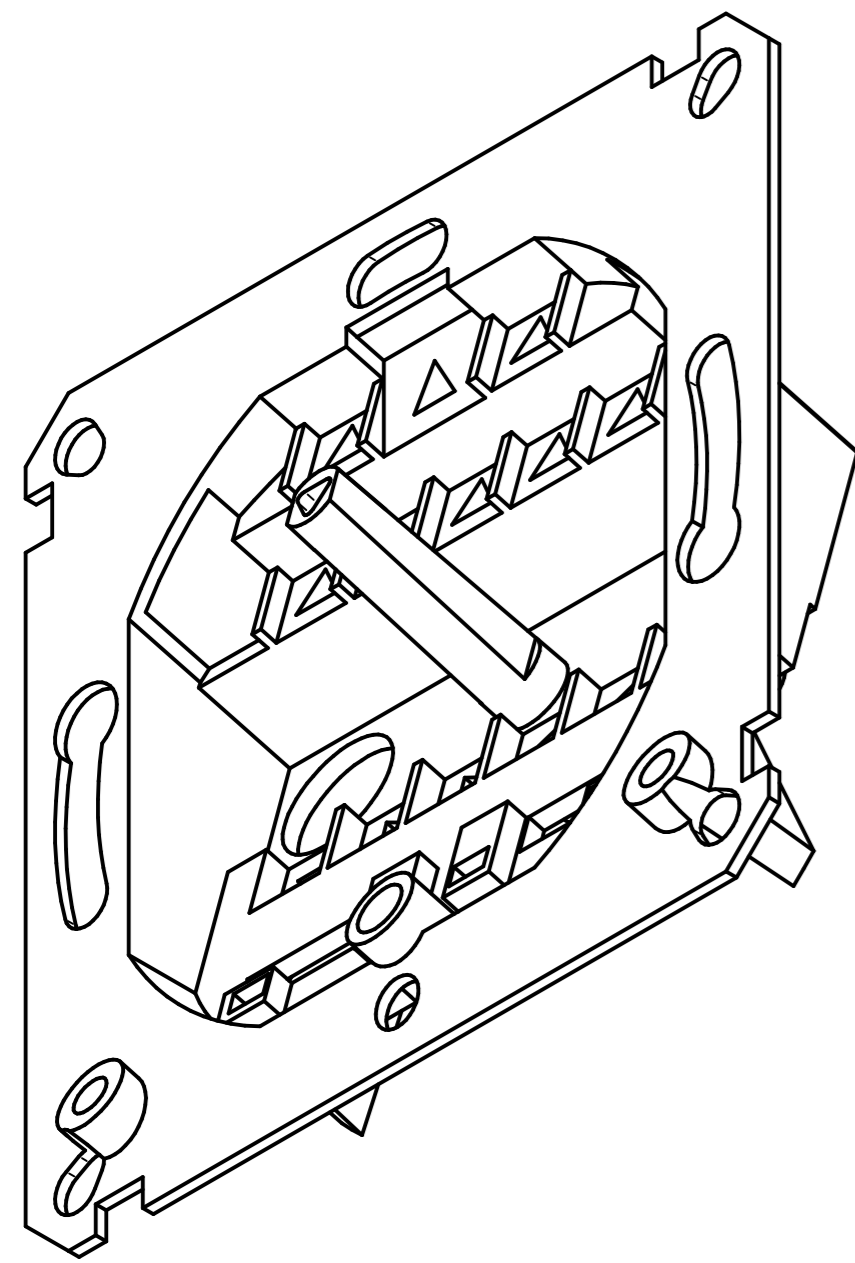


REVISION HISTORY			
REV	DESCRIPTION	DATE	APPROVED



DRAWN	user	DATE	11/29/14	Solid Edge	
CHECKED					
ENG APPR				SIZE	A2
MGR APPR				DWG NO	
UNLESS OTHERWISE SPECIFIED DIMENSIONS ARE IN MILLIMETERS ANGLES ±X.X°				FILE NAME:	koc3.dft
2 PL ±XXX 3 PL ±XXXX				SCALE:	
				WEIGHT:	
				SHEET	1 OF 1