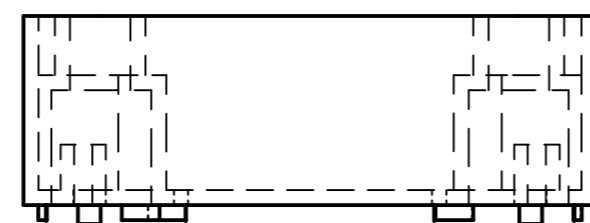
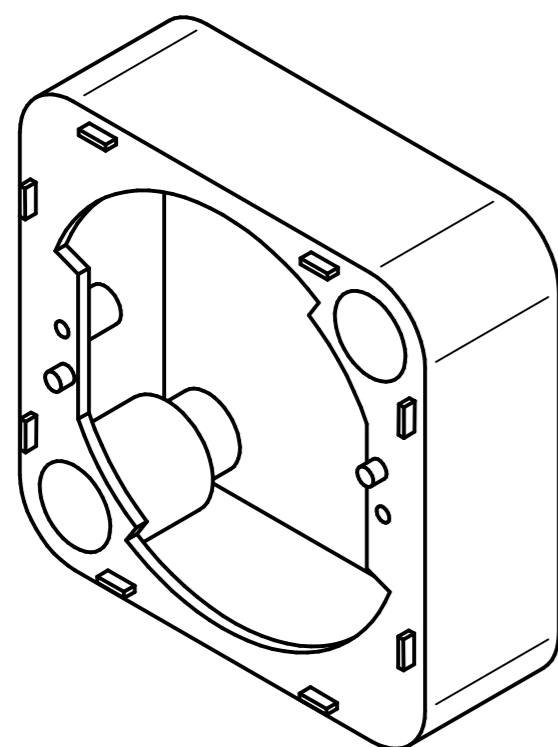
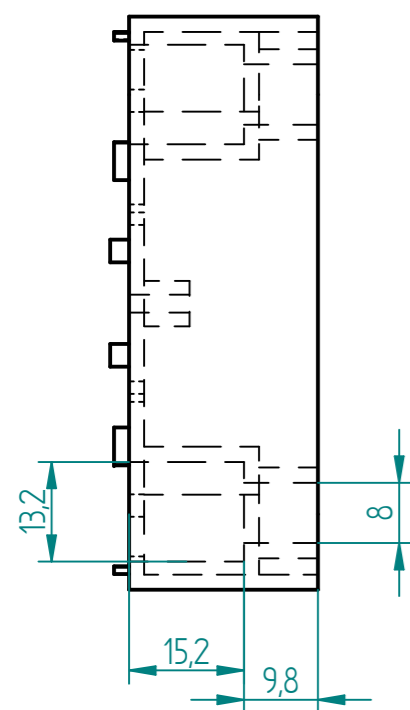
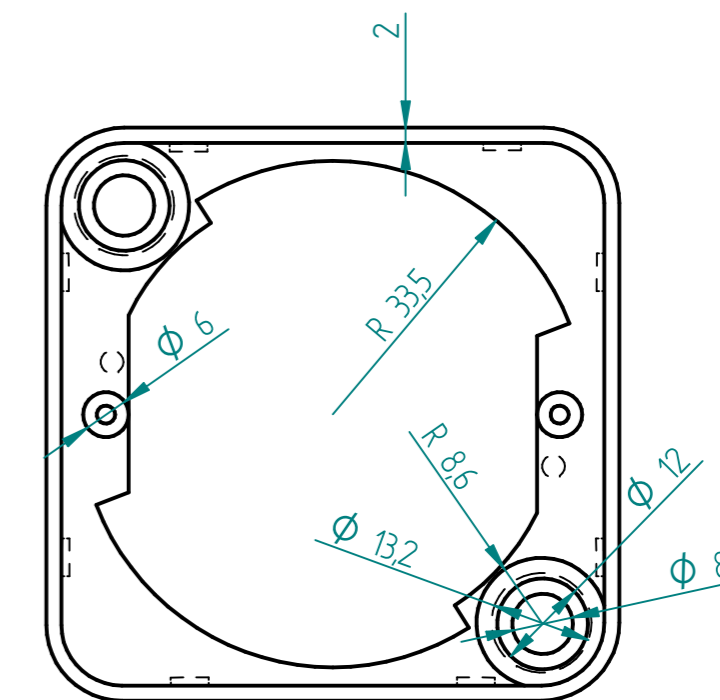
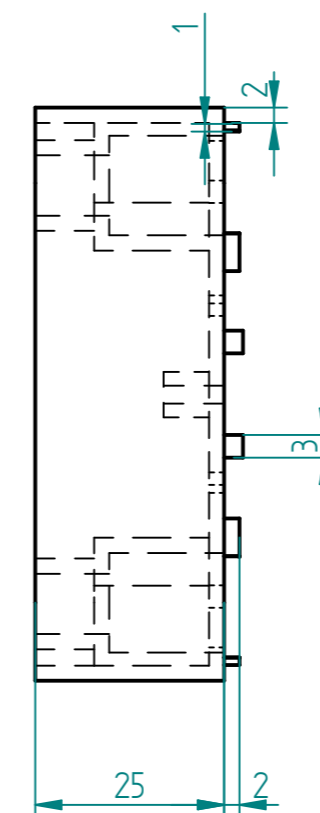
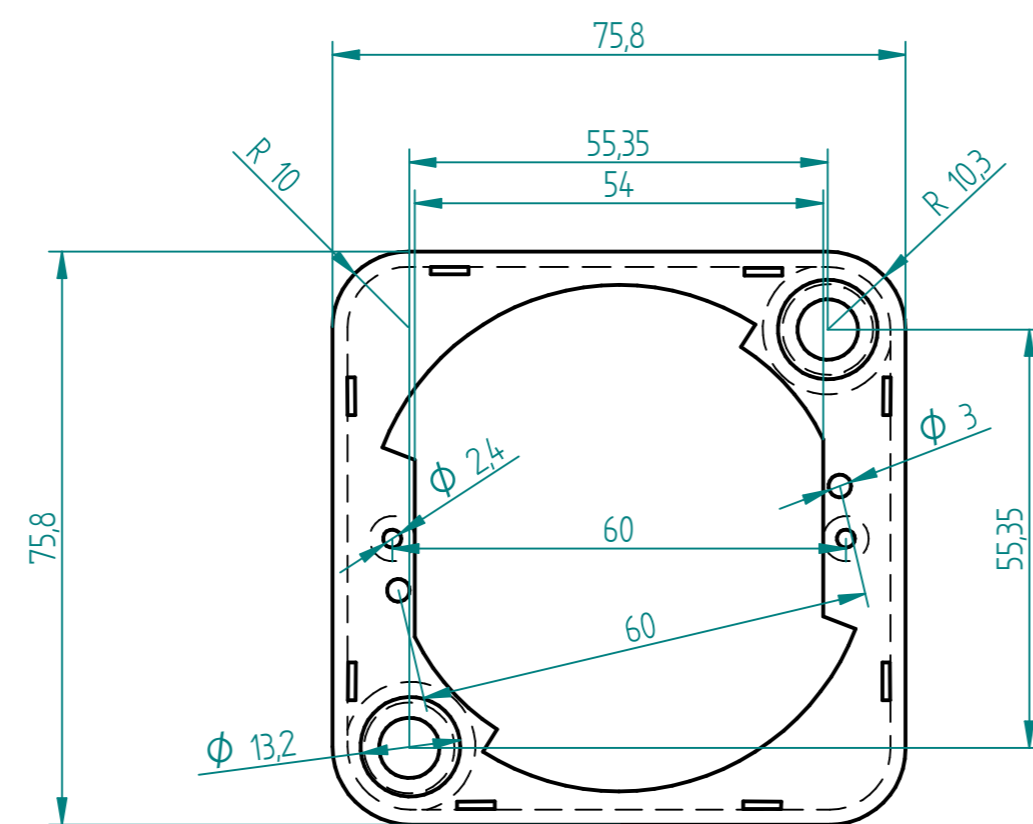
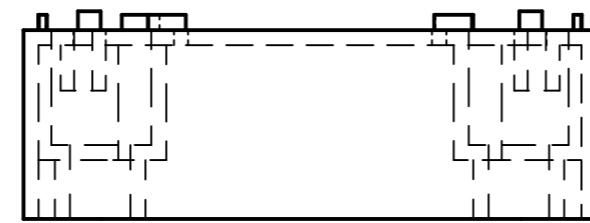
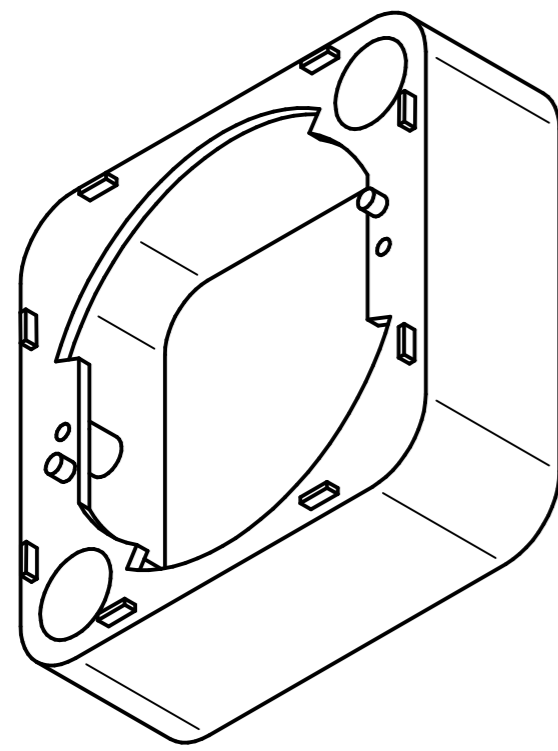


REVISION HISTORY			
REV	DESCRIPTION	DATE	APPROVED



	NAME	DATE	Solid Edge		
DRAWN	user	11/29/14			TITLE
CHECKED					
ENG APPR					
MGR APPR			SIZE A2	DWG NO	
UNLESS OTHERWISE SPECIFIED DIMENSIONS ARE IN MILLIMETERS ANGLES ±X°			FILE NAME: ramka GA1.dft		
2 PL ±XXX 3 PL ±XXXX			SCALE:	WEIGHT:	
			SHEET 1 OF 1		